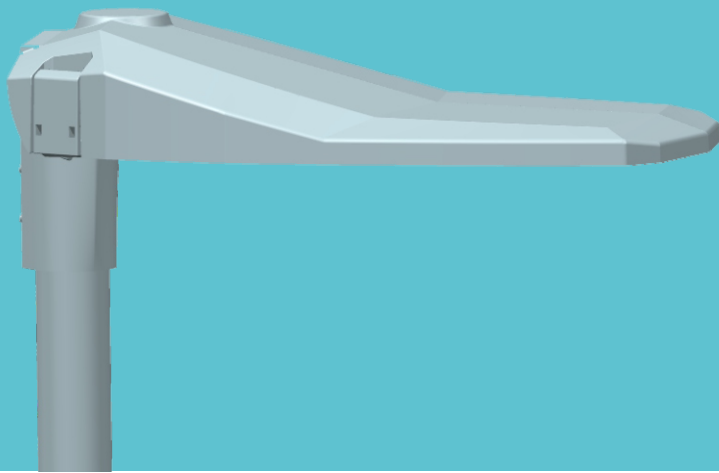


VIMALUX

A brighter vision



Urban Lighting
Eco Series

Zhaga-based luminaire

[read more](#)



Product Description:

- Eco series luminaire is the ideal solution that fulfils requirements of functional street lighting and residential areas, which working with outstanding heat dissipation and compact system. Equipped with high-quality electrical components, long lifetime is assured. Tool-free design and disconnecter device, enables easy, safe and minimal cost for maintenance. Efficient system also to reduce energy consumption and to create a more attractive urban living environment and visual comforts for public and residential areas.

- With patented housing design and range of optics, Eco series luminaire is also a perfect choice for project oriented usage.

Features:

- Patented Ribbon-Free housing™ technology
- Excellent thermal management
- Outstanding self-cleaning capability
- Patented optics for increased application efficiency
- Tool-free maintenance

Application:

- Highway roads
- Streets
- Parking lots
- Residential areas

Specifications

VML-SL98-Mini



VML-SL98-S



VML-SL98-M



VML-SL98-L

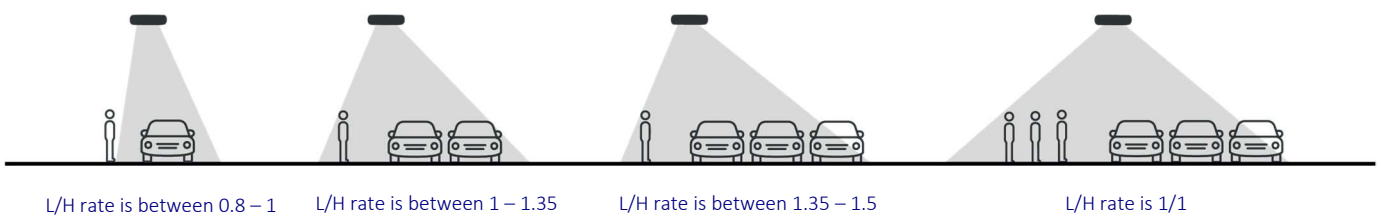


Light source	Integral LED Module
Power	10W-40W(Mini version) 50W-80W(Small version) 90W-150W(Medium version) 160W-300W(Large version) (Other power upon request)
Luminaire flux	1150-5600Lm(Mini version) 5750-11200Lm(Small version) 10350-21000Lm(Medium version) 18400-42000Lm(Large version)
Luminaire efficacy	145-153 lm/W
CCT	4000K (3000K/5000K/5700K upon request)
CRI	> 70 > 80(upon request)
Lifetime	100,000 hours at 25°C ambient temperature
Operating temperature range	-30 to 50 degree Celcius
Driver	Meanwell / Inventronics / Osram/Philips Other brand of driver(upon request)
Electrical	Class I or Class II Input voltage: 90-305VAC/50-60Hz,170-305VAC/50-60Hz 10KV/20KV/50KV SPD Power automatically switch off when opening
Dimming	Dali 1-10V PWM AstroDIM for autonomous dimming with five independent levels Smart control management system
Options	Photocell Nema Socket 3 pin/5 pin/7 pin Zhaga Socket Surge protection device (up to 50KV) 0.5m External cable(Other length upon request) Smart control device Motion detection
Materials	Housing: ADC12 die-cast aluminum Cover: Toughened Glass Screws: 304 stainless screws
Color	Grey/ Black/ white
Tightness level	IP66
Impact Resistance	IK09
Standards & Certifications	CE ENEC CB GS IEC ROHS LM80 LM79 TM21

Luminous Intensity Distribution Diagram

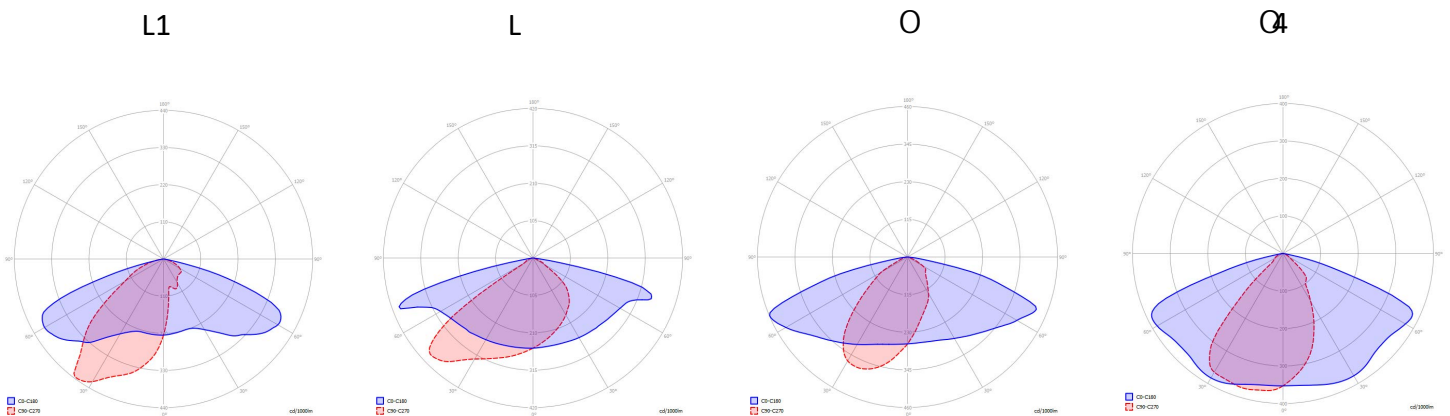
The ECO series LED street light luminaire come with a robust optic compartment design, enable many different options of LED chips and optic lens modules, which will help customers to always cope with the latest development of efficiency of Led by using the type of LED package, form 5050

MAIN APPLICATIONS



These graphics are for illustrative purposes and represent the most commonly used lens types. For comprehensive applications, please ask your VIMALUX adviser for full details.

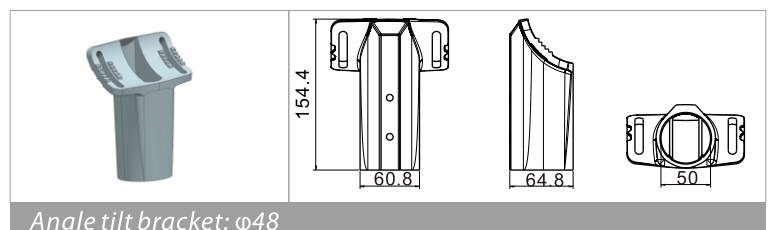
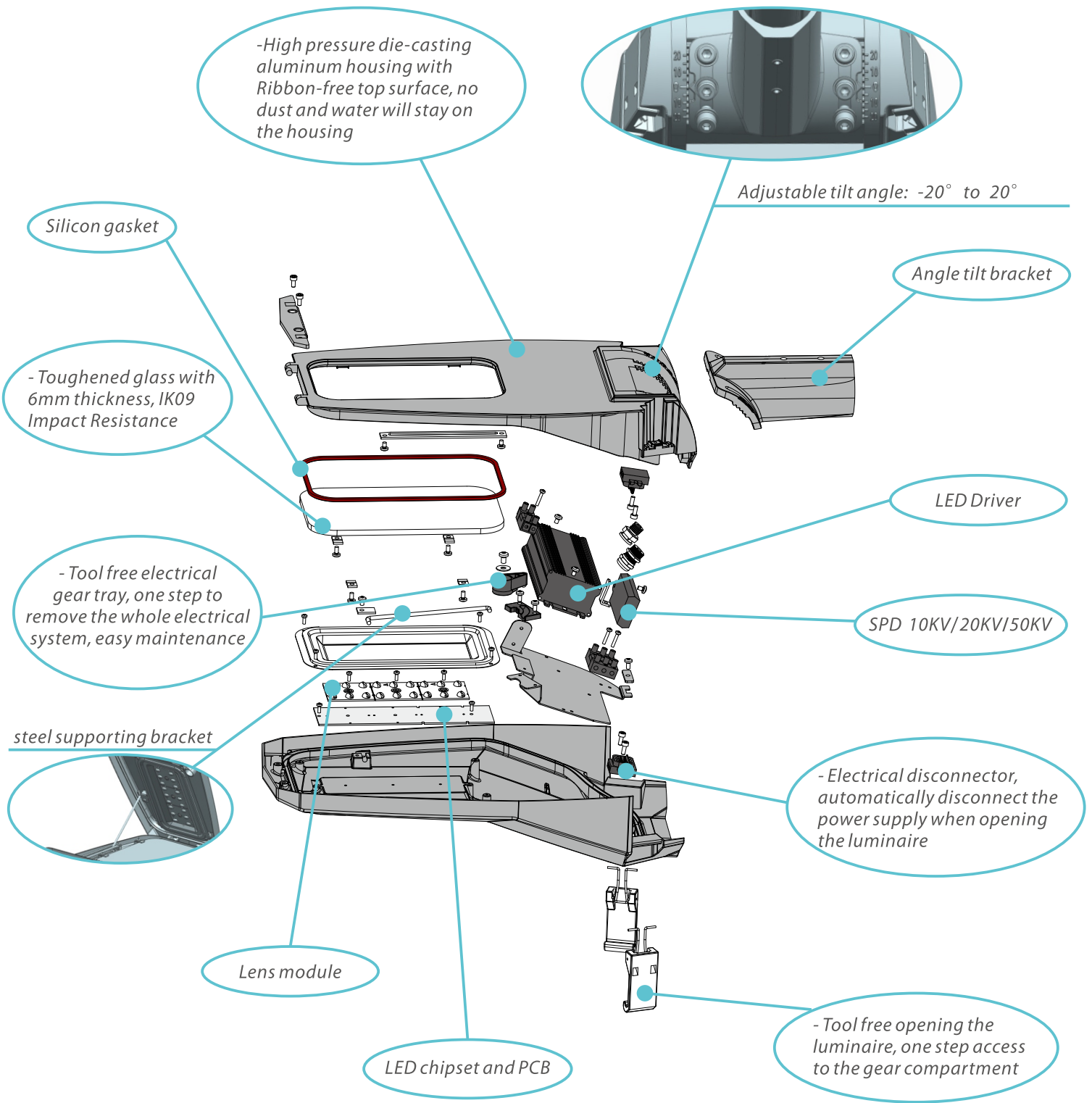
Most common Lens type



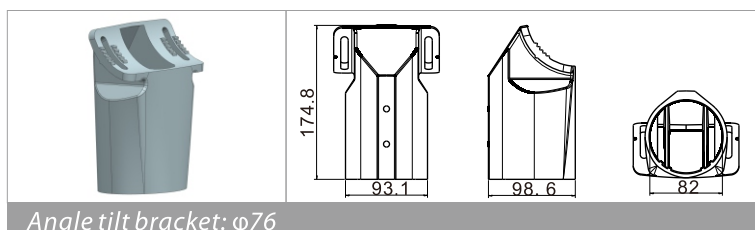
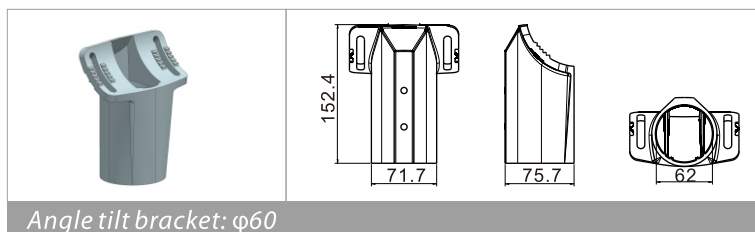
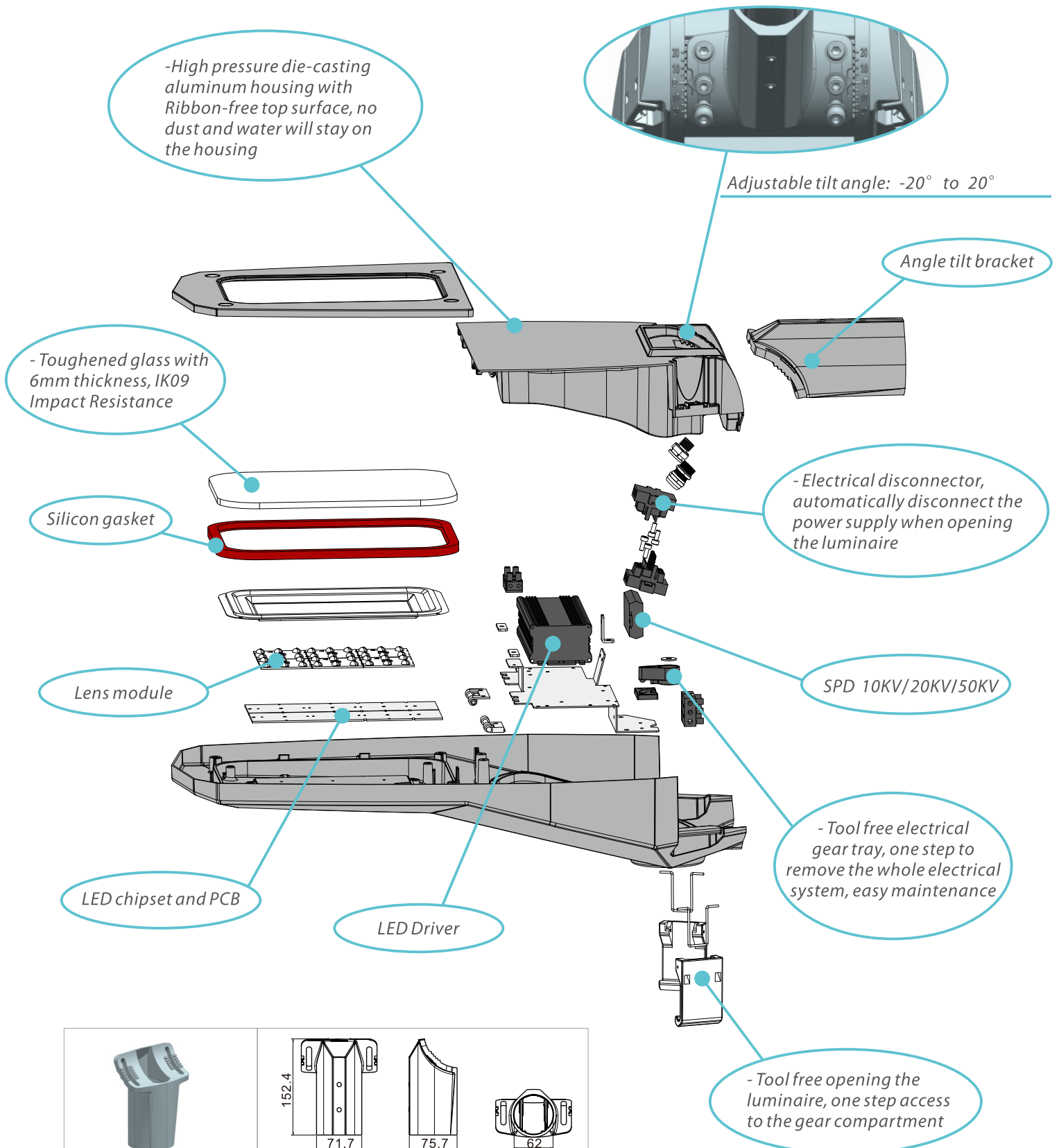
For other lens type, please ask your VIMALUX adviser for full details.



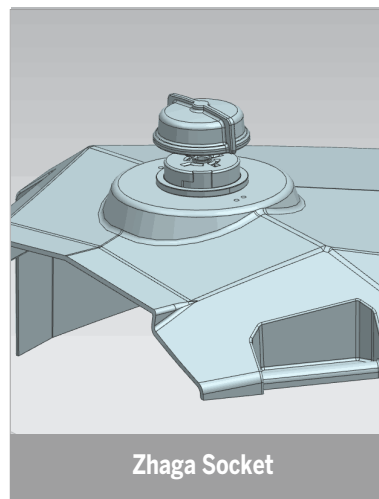
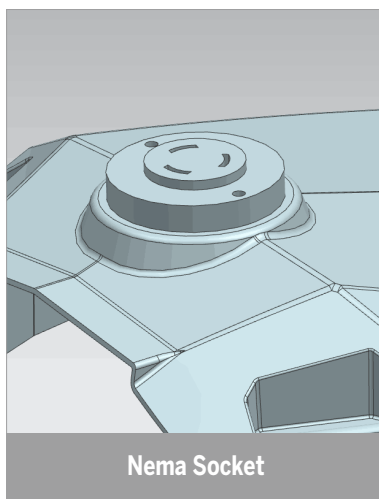
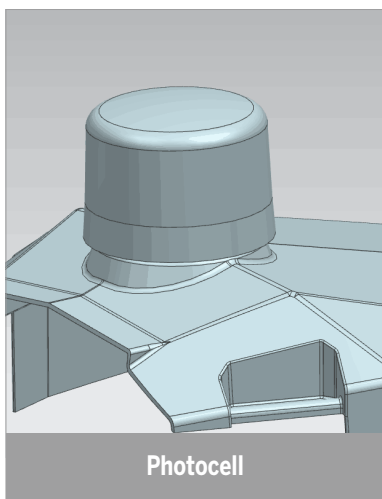
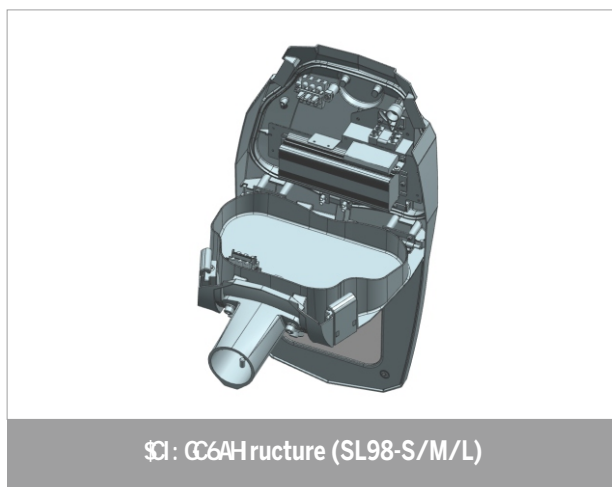
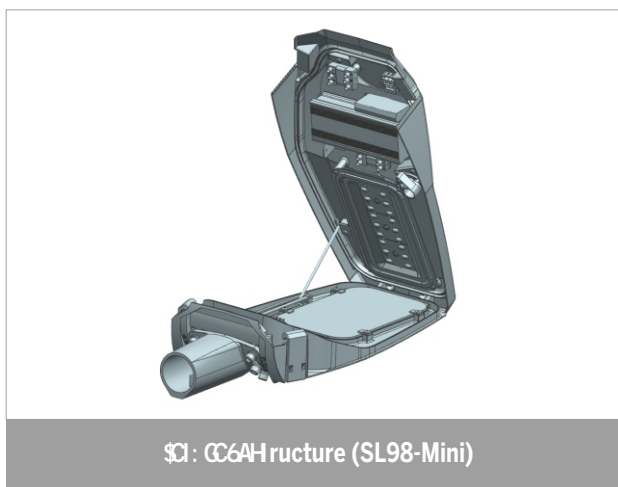
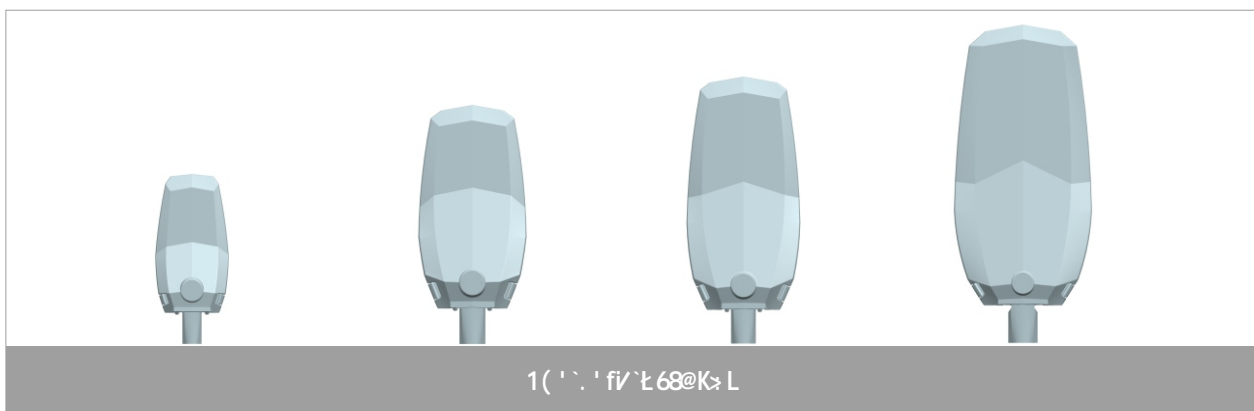
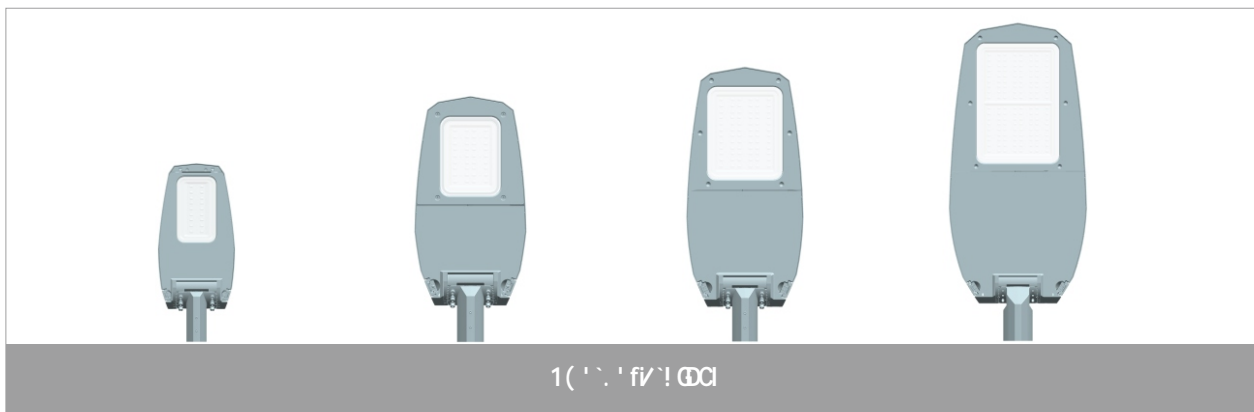
Unique features of Ecosuper LED street light luminaire Mini Version



Unique features of Ecosuper LED street light luminaire Small/Medium/Large Version

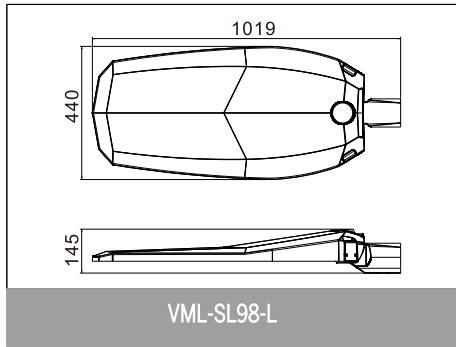


Pictures:

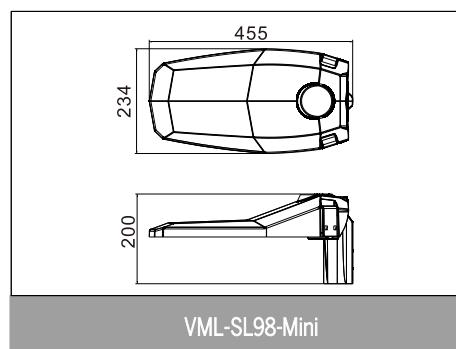
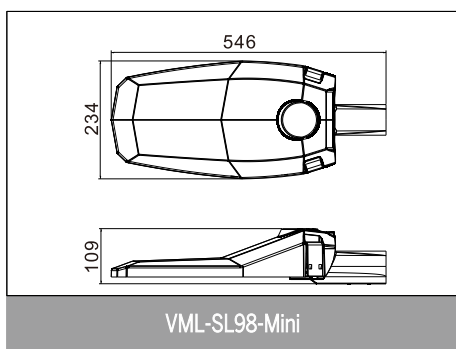
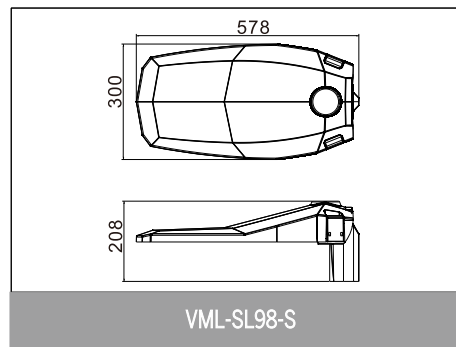
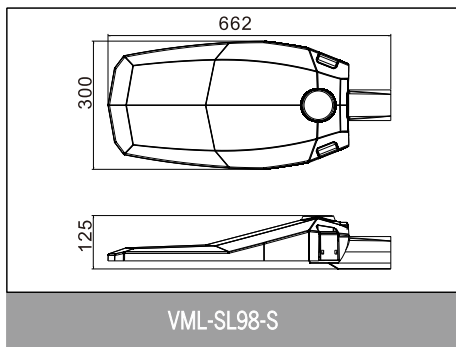
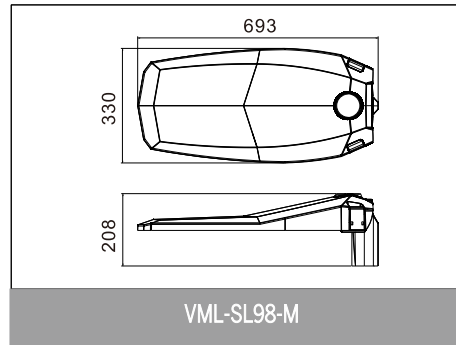
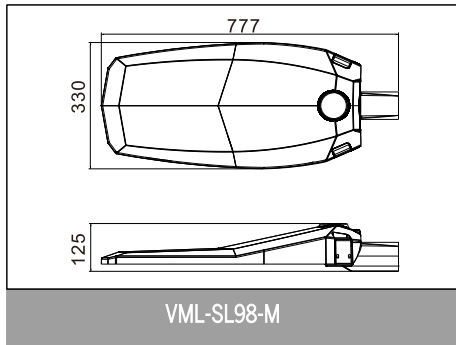
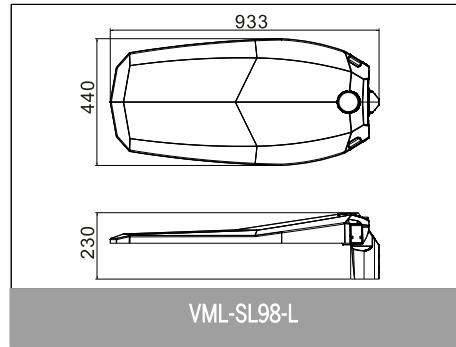


Product size:

Horizontal Installation



Vertical Installation



Installation:

- The Ecosuper luminaire can either be post-top or side-entry mounted.
- The Ecosuper luminaires are fitted with an adjustable inclination system to facilitate photometric adjustments on-site for optimal photometric performance.
- 3 installation pipe diameters are available, 48/60/76mm.
- Please look at the following information to finish installation.

VIMALUX

A brighter vision