





Product Description:

- (fl22 - fl series is an excellent street lighting solution for urban areas of important architectural value, a smart and versatile design of 7-in-1 installation, post-top mounting, bracket side entry mounting or suspended mounting.
- Equipped with high-quality electrical components, long lifetime is assured. Tool-free design and power switch-off device, enables easy, safe and minimal cost for maintenance. Efficient system could reduce energy consumption and to create a more attractive urban living environment and visual comforts for public and residential areas.
- With patented housing design and range of optics, *Essence* series luminaire is also a perfect choice for project oriented usage.

Features:

- Smart and versatile design of 7-in-1 installation
- Excellent thermal management
- Outstanding self-cleaning capability
- Patented optics for increased application efficiency
- Tool-free maintenance

Applications:

- Urban streets
- Public areas
- Parking lots
- Residential areas



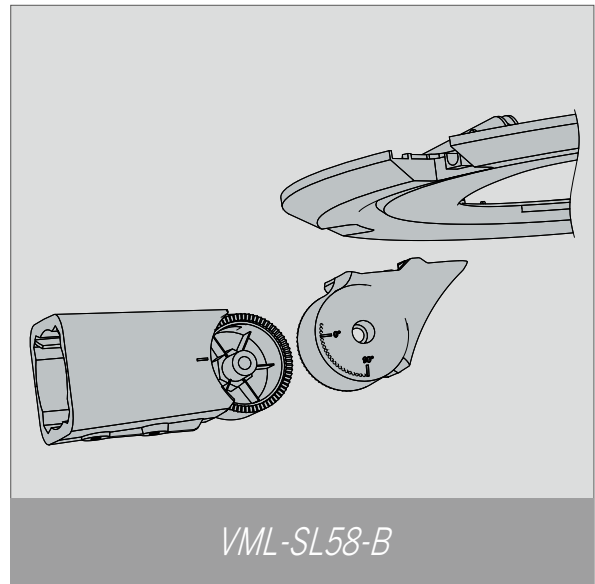
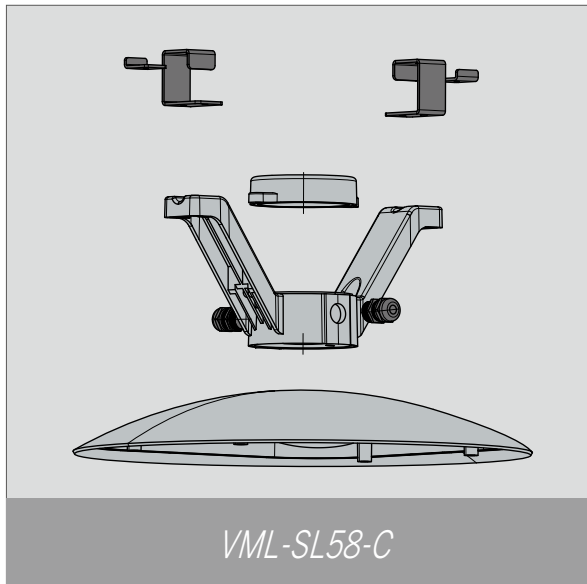
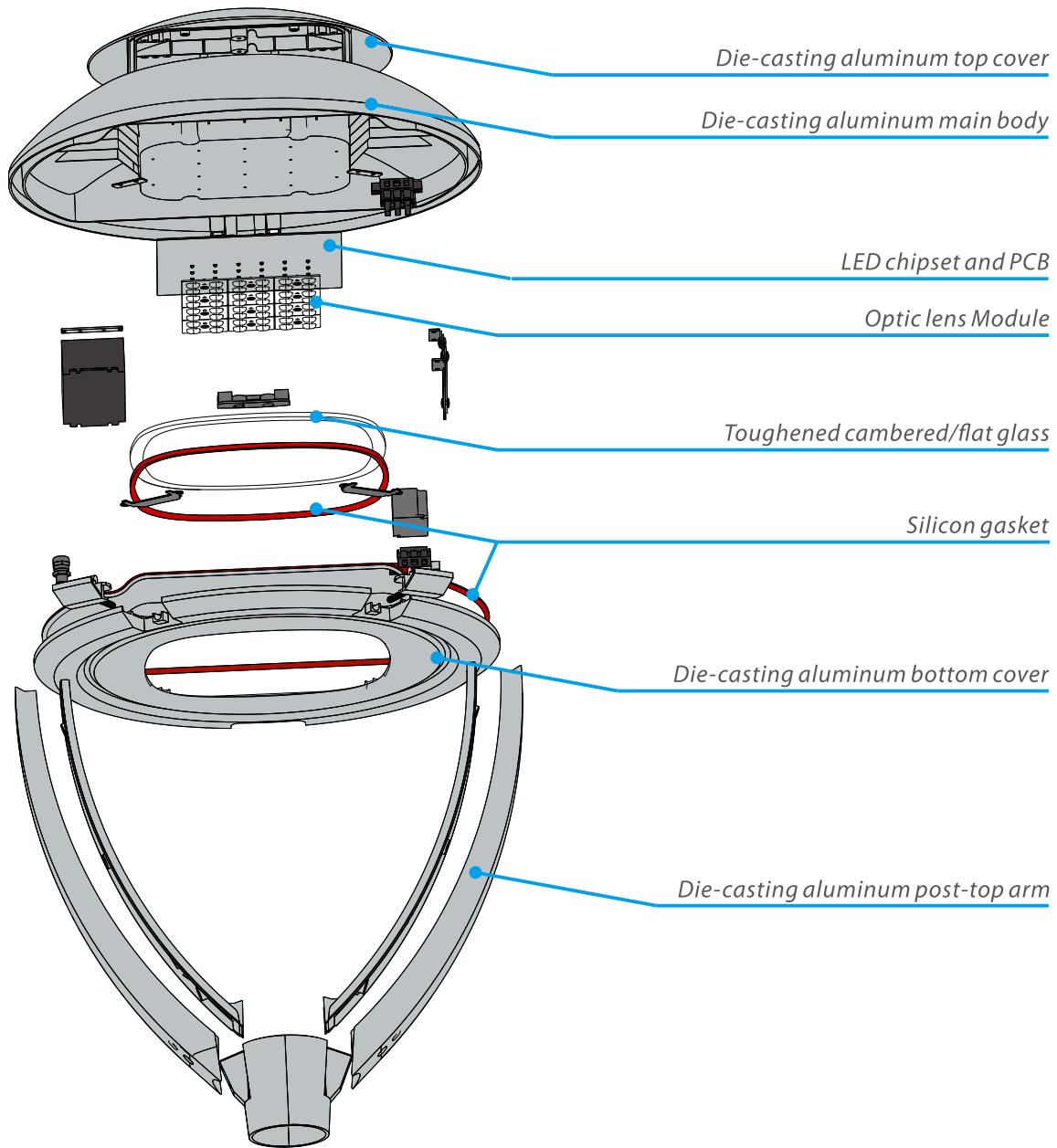
Specifications

VML-SL58



Model	VML-SL58A/B/C/D/E/G
Light source	Integral LED Module
Power	20W/30W/40W/60W/80W/100W/120W (Other power upon request)
Luminaire flux	2600-16000lm
Luminaire efficacy	110-140lm/W
CCT	4000K (3000K/5000K/5700K upon request)
CRI	> 70 > 80(upon request)
Lifetime	100,000 hours at 25°C ambient temperature
Operating temperature range	-30 to 45°C
Driver	Meanwell (Inventronics optional) Other brand of driver(upon request)
Electrical	Class I or Class II Input voltage: 90-305VAC/50-60Hz, 170-305VAC/50-60Hz 10KV/20KV SPD Power automatically switch off when opening
Dimming	Dali 1-10V PWM AstroDIM for autonomous dimming with five independent levels Smart control management system
Options	Photocell Surge protection device (up to 20KV) 0.5m External cable(Other length upon request) Smart control device Motion detection
Materials	Housing: ADC12 die-cast aluminum Cover: Toughened cambered/flat glass Screws: 304 stainless screws
Color	Grey/ Black/ white
Tightness level	IP66
Impact Resistance	IK08
Installation	Recommended mounting height: 3-12M
Standards & Certifications	CE ENEC CB GS IEC ROHS LM80 LM79 TM21 All measurements in TUV sud Laboratory

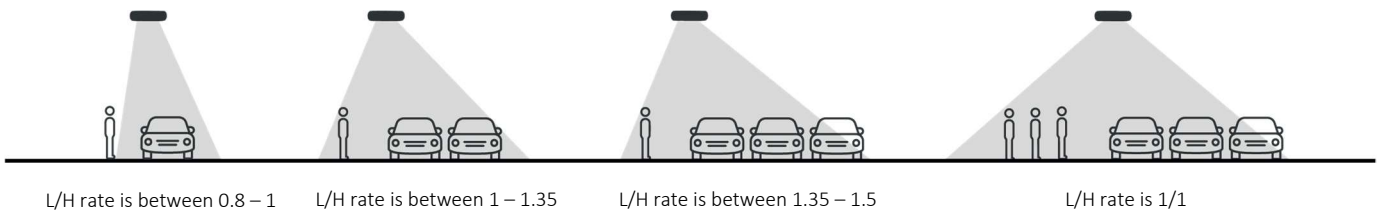
Luminous structure Diagram (standard options)



Luminous Intensity Distribution Diagram

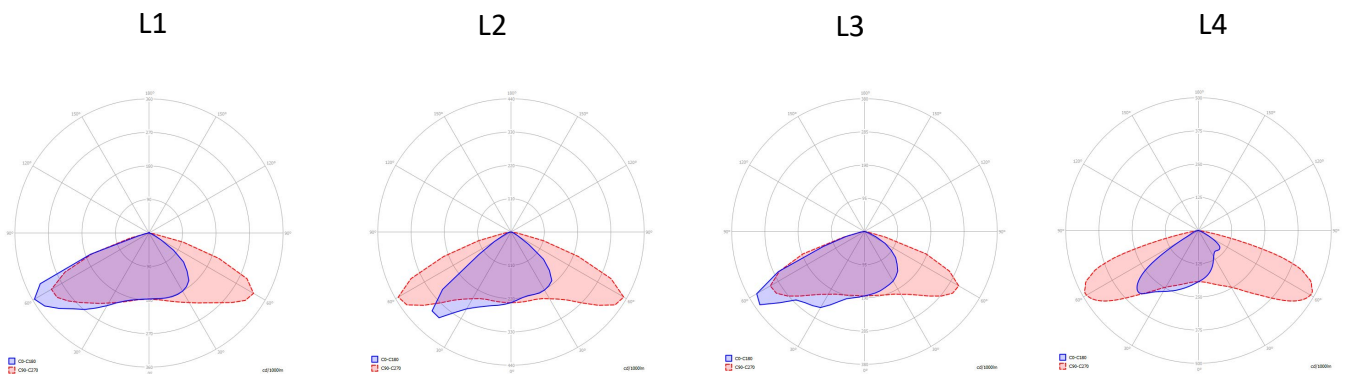
The MADERA series LED street light luminaire come with a robust optic compartment design, enable many different options of LED chipset and optic lens modules, which will help customers to always cope with the latest development of efficiency of led by using different type of led package, from 3030, 3535 to 5050.

MAIN APPLICATIONS



These graphics are for illustrative purposes and represent the most commonly used lens types. For comprehensive applications, please ask your VIMALUX adviser for full details.

Most common Lens type



For other lens type, please ask your VIMALUX adviser for full details.



-High pressure die-casting aluminum housing with invisible built-in heat sink curves, supply sufficient heat dissipation for led module up to 120W

- Toughened cambered/flat glass with 5mm thickness, IK09 Impact Resistance

- Galvanised steel supporting bracket, for easy maintenance

SPD 10KV/20KV

- Tool free opening the luminaire, one step access to the gear and optic compartment

- Silicon gasket High temperature resistance

- Electrical disconnecter, automatically disconnect the power supply when opening the luminaire



Press-and-push tool free opening



Use of screwdriver is prohibited



Use of screwdriver is prohibited

Pictures:



VML-SL58-A



VML-SL58-B



VML-SL58-B



VML-SL58-internal

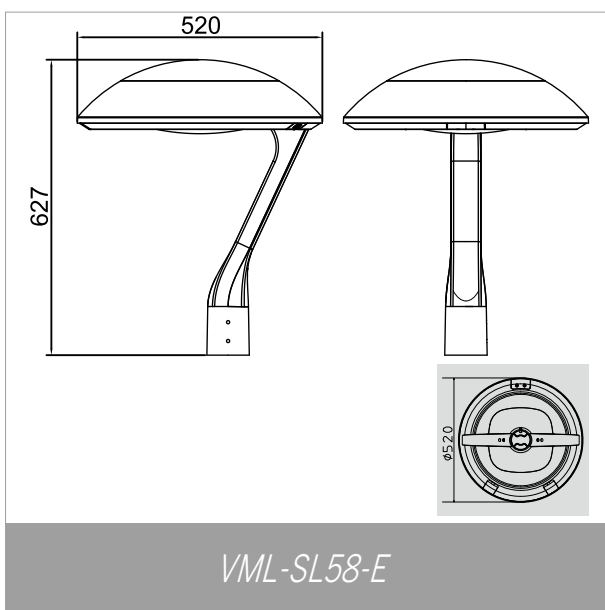
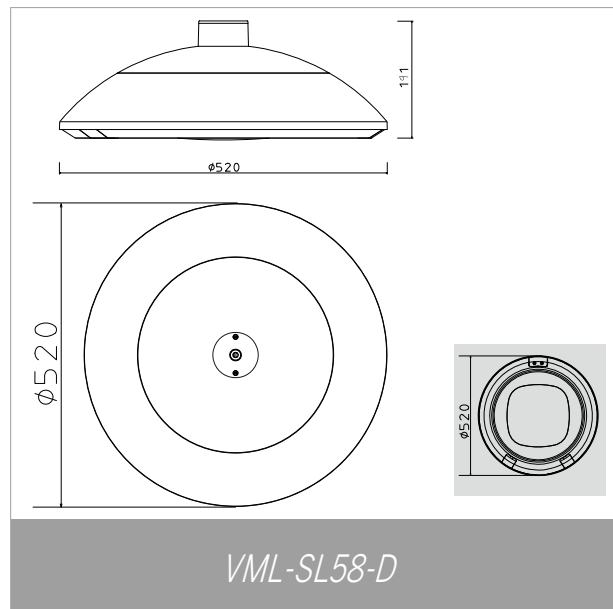
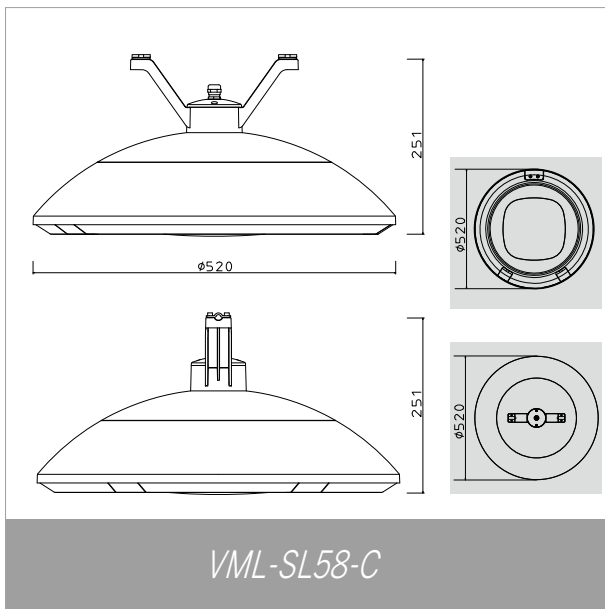
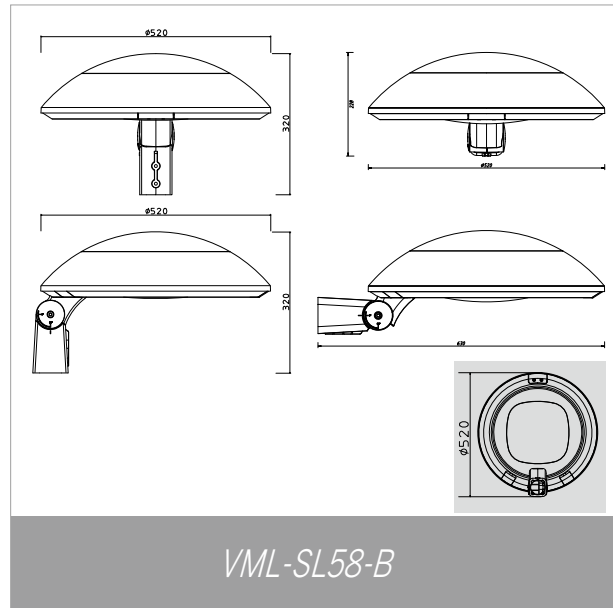
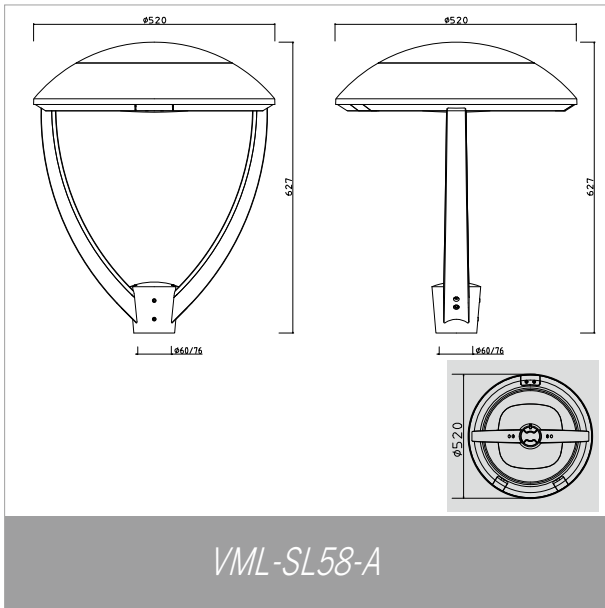


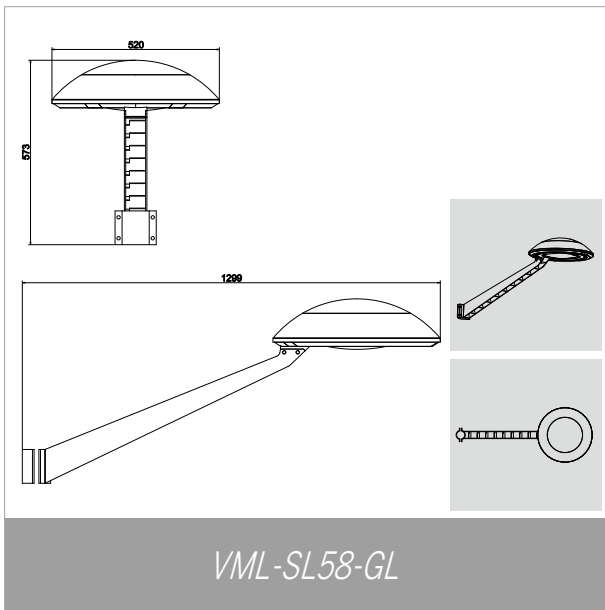
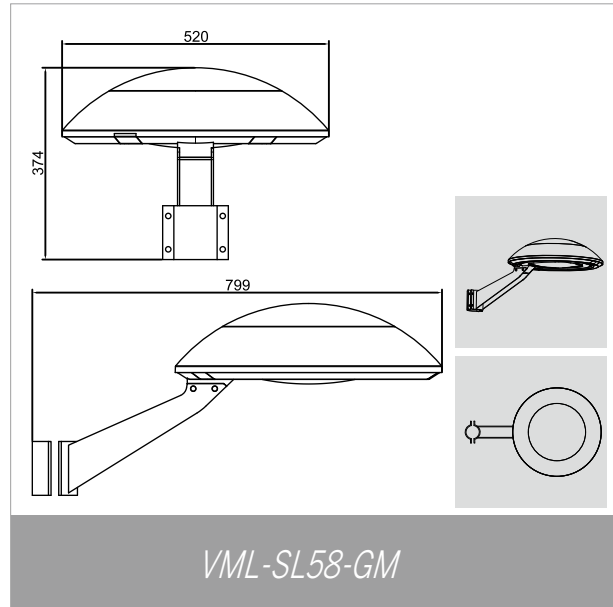
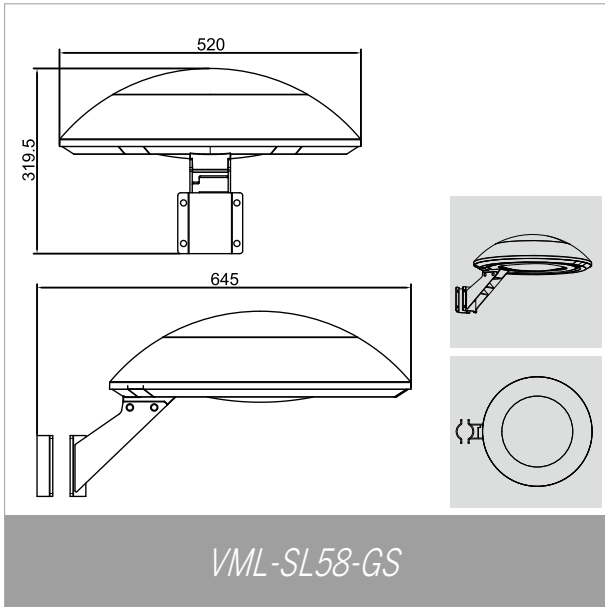
Photocell (optional)



VML-SL58-Optic

Product size:





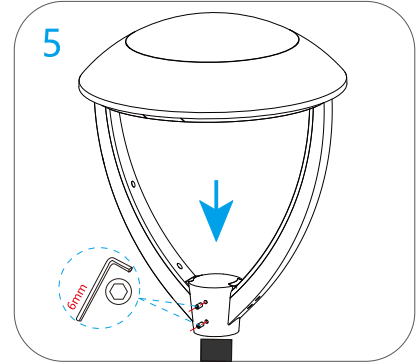
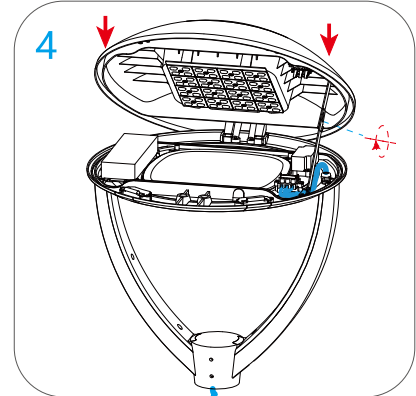
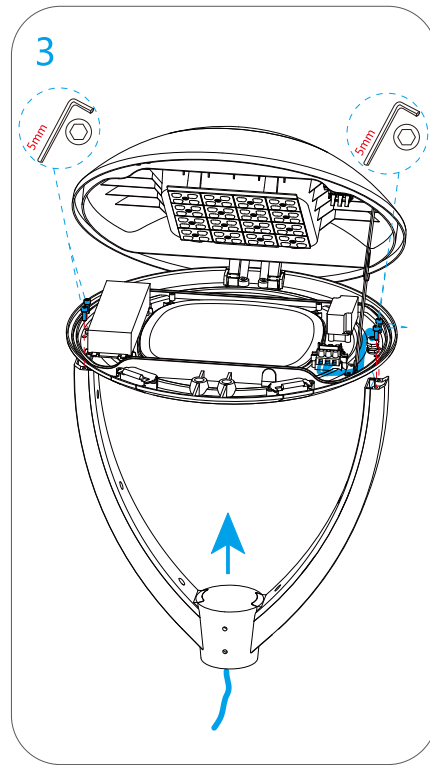
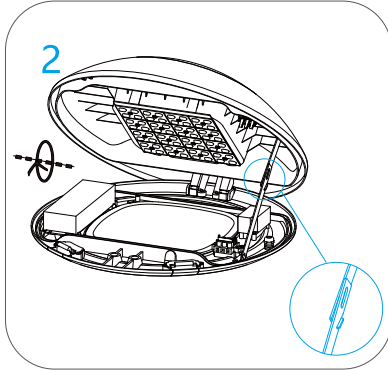
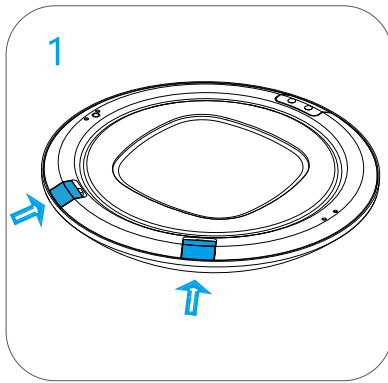
Installation:

- The series is a 4-in-1 mounting system urban lighting luminaire, post-top mounting arms, vertical and side entry brackets, suspension mounting kits are optional.
- 2 installation pipe diameters are available, 50-60mm and 60-76mm.
- Please look at the following information to finish installation.

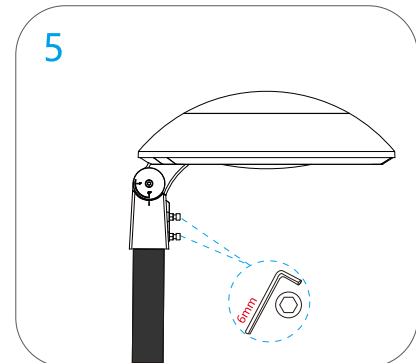
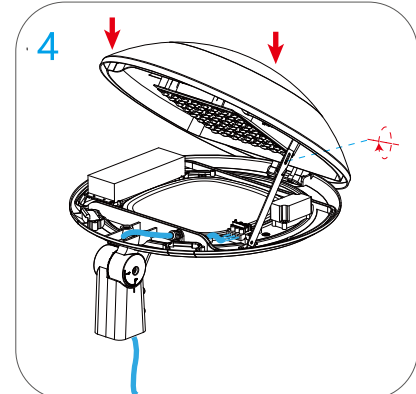
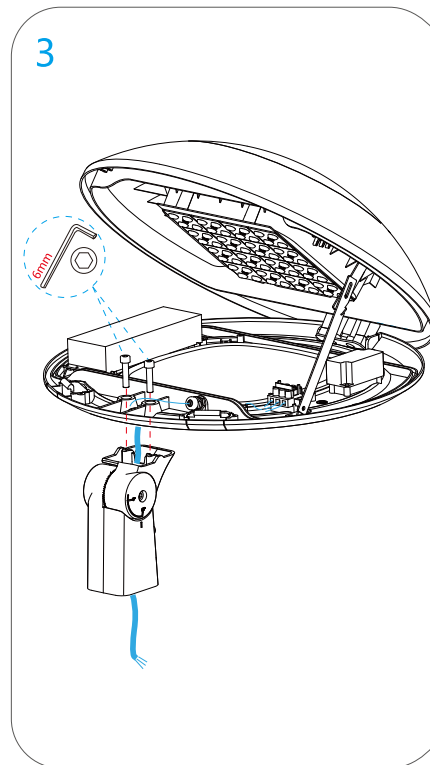
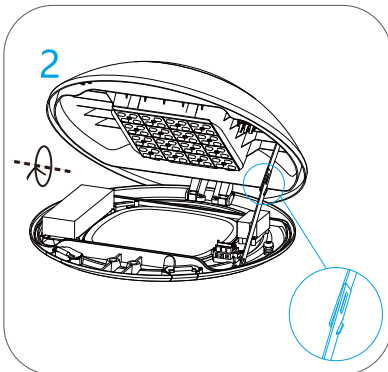
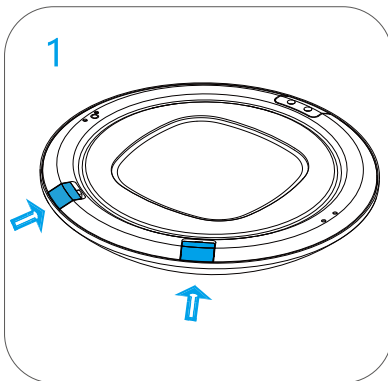
Installation Way:



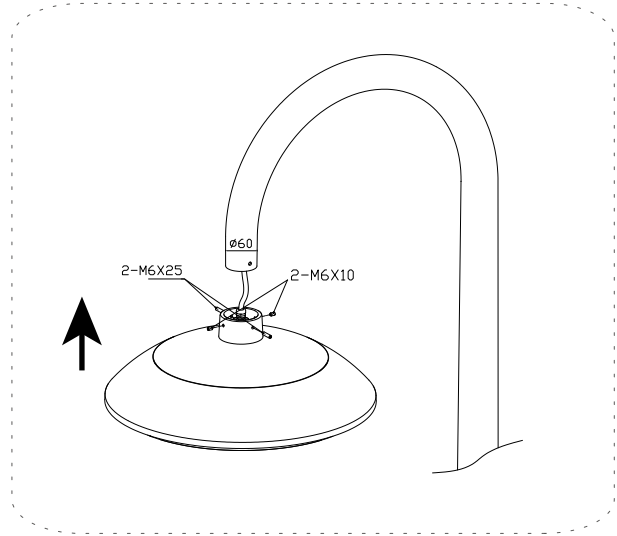
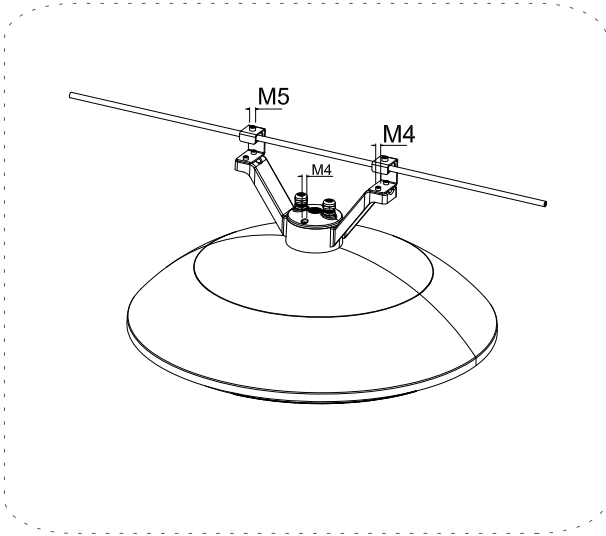
LED Garden light



LED Street light







LED Post Top Lamp



Packaging:

Model	Carton Size(mm)	N.W.(Kg)	G.W.(Kg)
SL58-A	580x580x290	12.0	13.0
SL58-B	580x580x290	11.0	12.0
SL58-C	580x580x290	11.0	12.0
SL58-D	580x580x290	11.0	12.0

 VIMALUX	 Item NO.:EL-SL58 N.W.: Kg G.W.: Kg QTY: PCS SIZE: x x MM
	

Warranty:

7 years limited warranty is standard on luminaire and components

VIMALUX

A brighter vision