

LED Flood Light ARES Series

Technical

- Advanced technology to get high efficacy and less glare optic performance
- A variety of light distribution from ultra-small to large angle, fit for different applications
- TLCI>90 for HD broadcast
- Flicker free capture ultra slow-motion
- Low wind resistance design
- Up to 75% energy saving
- The input voltage can be matched with 45V, 90V and 180V with different wiring modes
- Perfect event light control with a variety of intelligent control systems
- Super less weight with aviation aluminum
- Self-cleaning function with unique product structure design
- Power box removable for easy installation

Optical

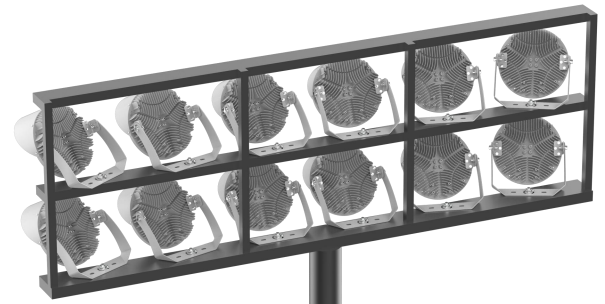
- TLCI>90, Broadcast Ready for >1000fps, HD | 4K | 8K, enable TV broadcasters to film super-slow-motion replays with a flicker factor <1%
- Engineered by adopting seamless link of advanced Free-form optics
- Optics designed with unique "multi scales lenses" to make uniform light distribution and glare-reducing.
- High transmittance PC cover, anti-UV, IK08 protective grade, prevent LED chips vulcanization and dust accumulation on the lens.
- Symmetrical light distribution enhancing uniformity of vertical and horizontal, meanwhile reducing light spill especially back pole light in residential area.

Control

- Scalable control solution, enables customisable, with real-time monitoring and supports Art-Net, DMX RDM and DALI protocols.
- Support multi-Intelligent controls, WIFI.

Application

Football court | Soccer court | Tennis court | Basketball court | Badminton court | Golf court | Ski court | Large Area Industrial | Truck Stops | Toll Plazas | Airports | Ports



ASP04-300 / ASP04-400 /
ASP04-500 / ASP04-600



ASP04-750 / ASP04-1000 /
ASP04-1200



3G Vibration



LED Flood Light

ARES Series

Specifications

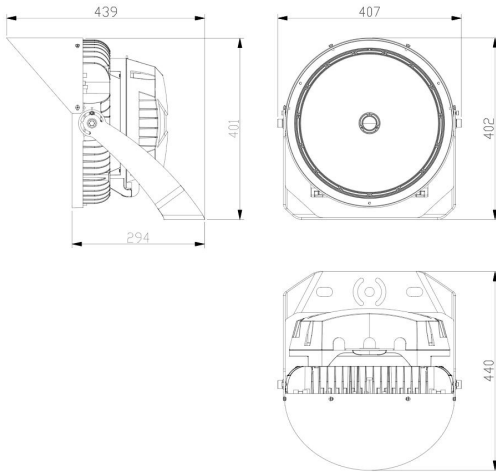
| Model Name | ASP04-300 | ASP04-400 | ASP04-500 | ASP04-600 | ASP04-750 | ASP04-1000 | ASP04-1200 |
|-------------------------------------|---|--------------------------------|----------------------|-----------|---|-------------------------|----------------------|
| Power Consumption | 300W | 400W | 500W | 600W | 750W | 1000W | 1200W |
| Light Source | OSRAM / Lumileds | | | | | | |
| CCT | 5700K (5000K / 4000K Available) | | | | | | |
| Luminous Flux * (lm) | 48,000 | 60,000 | 75,000 | 90,000 | 101,250 | 135,000 | 156,000 |
| Luminous Efficacy *(lm/W) | 160 | 150 | 160 | 150 | 135 | 135 | 130 |
| CRI | 70 Ra | | | | | | |
| Light Distribution | 15°, 30°, 40°, 60° (Design according project requirement) | | | | 15°, 20°, 25°, 40°, 60° (Design according project requirement) | | |
| LED Driver | INVENTRONICS (Can be equipped with customer's local power supply) | | | | | | |
| Input Voltage | AC100-277V/ 200-480V | | | | | | |
| Frequency | 50 / 60 Hz | | | | | | |
| Power Factor | ≥0.9 at Max load | | | | | | |
| FF(Flicker Factor) | <2% | | | | | | |
| Power Efficiency | ≥0.95 | | | | | | |
| THD | <15% | | | | | | |
| Surge Protection | Line – Line 20kV, Line – FG 20kV | | | | | | |
| Control Method | 0-10V / DALI/ DMX | | | | | | |
| EPA | 0.137m ² | | 1.478ft ² | | 0.218m ² | | 2.353ft ² |
| Size | Inch | 16.02*11.69*15.83(inch) | | | | 20.31*16.73*19.49(inch) | |
| | mm | 407*297*402mm | | | | 516*425*495mm | |
| Weight (Remote Mounting Driver Box) | Lamp | / | | | | 14.5kgs | |
| | Driver Box | / | | | | 8.5kgs | |
| Weight (Integrated with Driver Box) | 15±0.5kgs | | | | 24±0.5kgs | | |
| Material | Body | Die cast aluminum | | | | Cold forging aluminum | |
| | Optic | PC (Anti UV & Dust) | | | | | |
| | Cover (optional) | Tempered Glass , Shatter Proof | | | | | |
| Finish | Powder Coating | | | | Electrophoresis | | |
| IP Rating | IP66 | | | | | | |
| Operating Temperature | -22°F~122°F / -30°C ~ 50°C | | | | | | |
| Warranty | 7 Years | | | | | | |

LED Flood Light
ARES Series

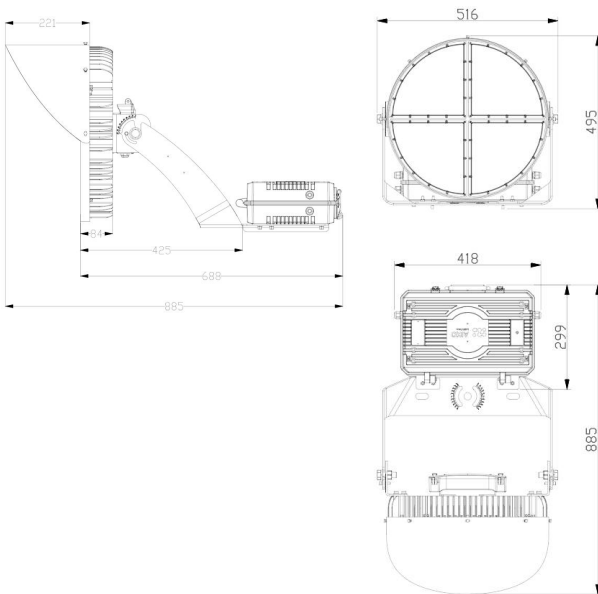
Dimensional Drawings

ARES LED Flood Light

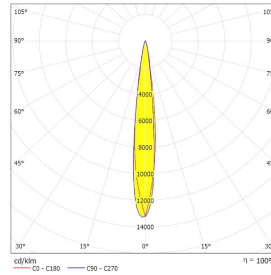
ASP04-300 / ASP04-400 / ASP04-500 / ASP04-600



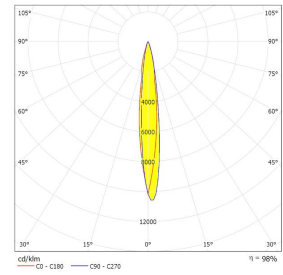
ASP04-750 / ASP04-1000 / ASP04-1200



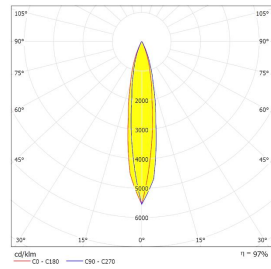
Photometric



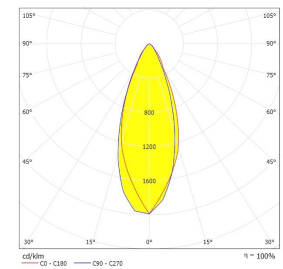
10°



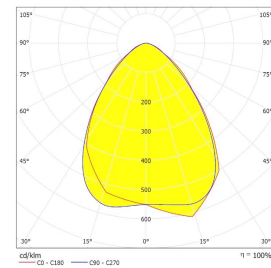
15°



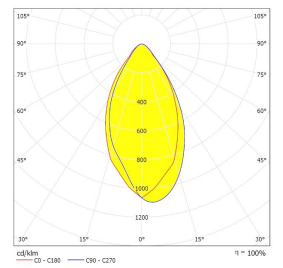
20°



40°



60°



80°

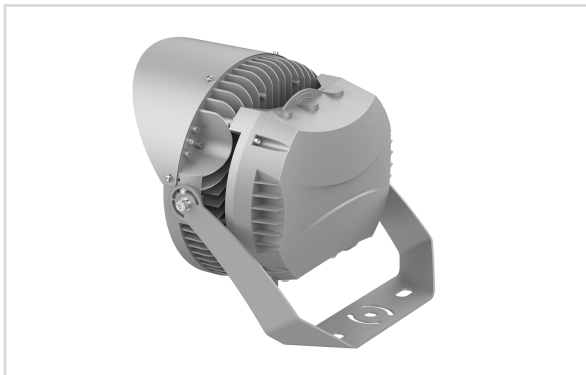
Installation Reference (Optional)



Integrated Driver Box
(ASP04-750 / ASP04-1000 / ASP04-1200)



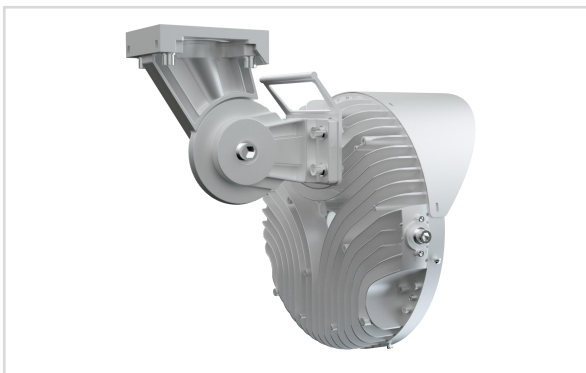
Remote Mounting Driver Dox
(ASP04-750 / ASP04-1000 / ASP04-1200)



Integrated with driver box
(ASP04-300 / ASP04-400 / ASP04-500 / ASP04-600)



Hook using as high bay
(ASP04-300 / ASP04-400 / ASP04-500 / ASP04-600)



Circular Base Bracket
(ASP04-300 / ASP-04-400 / ASP04-500 / ASP04-600)



Arm (ASP04-300 / ASP-04-400 / ASP04-500 / ASP04-600)