

LED Flood Light HARMONY G3 E Series

Technical

- Minimising windage of front and side surface through combined frame and modules .
- Low total weight of complete system, same size with traditional 2000W Metal Halide/HPS.
- Easy to install and maintain, flexible mouting system especially the new IP66 driver box, absence of complex wiring between driver box and luminaire, also the modules.
- Minimising TCO by maximum and constant light output with effective thermal management to extend product lifetime and minimize maintenance costs.
- LED uses standardized IES LM-80-08 and TM-21-11 methods for collecting long-term data and extrapolating LED lumen maintenance.
- Al1070 pure aluminum body, seamless link of aerometal materials and numerous vents on heat sink improved heat management, keeps away from all field heat,ensures the stability of light system.
- Salt-spray-testing level 1000hours/2000hours/3000hours for your special projects requirements.
- Equipped with 10KV/20KV SPD, resist huge grid surge.

Optical

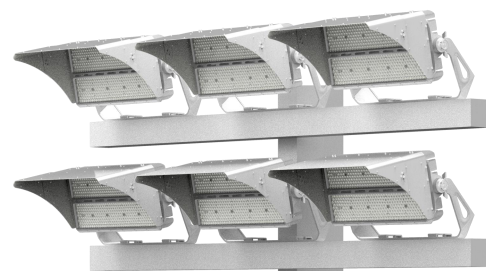
- TLCI>90, Broadcast Ready for >1000fps, HD | 4K | 8K, enable TV broadcasters to film super-slow-motion replays with a flicker factor <1%
- Engineered by adopting seamless link of advanced Free-form optics
- Optics deisgned with unique "multi scales lenses" to make uniform light distribution and glare-reducing.
- High transmittance PC cover, anti-UV, IK10 protective grade, prevent LED chips vulcanization and dust accumulation on the lens.
- Symmetrical and Asymmetrical light distribution enhancing uniformity of vertical and horizontal, meanwhile reducing light spill especially back pole light in residential area.

Control

- Scalable control solution, enables customisable, with real-time overrides and supports Art-Net, DMX RDM and DALI protocols.
- Support multi-Intelligent controls, WIFI.

Application

Indoor Stadium | Outdoor Stadium | Wharf | Apron Lighting | Large Area Illumination
| Tower Lighting | Sports Facility



AFL09-G3500E / AFL09-G3600E



AFL0-G3750E / AFL09-G31000E /
AFL09-G31200E/AFL-G31500E



3G Vibration



Specifications

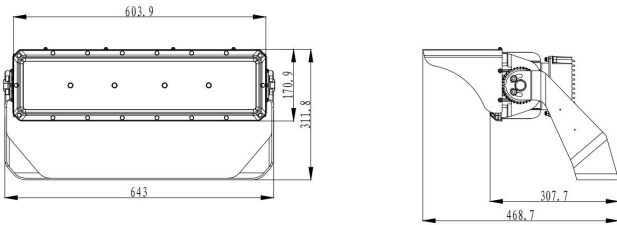
Model Name	AFL09-G3500E	AFL09-G3600E	AFL09-G3750E	AFL09-G31000E	AFL09-G31200E	AFL09-G31500E
Power Consumption	500W	600W	750W	1000W	1200W	1500W
Light Source	OSRAM/LUMILEDS					
CCT	5700K (4000K/5000K/3000K/2200K optional)					
Luminous Flux (Lm)	70,000Lm	84,00Lm	112,500Lm	140,000Lm	168,000Lm	210,000Lm
Luminous Efficacy(Lm/W)	140Lm/W	140Lm/W	150Lm/W	140Lm/W	140Lm/W	140Lm/W
CRI	70 Ra/80Ra/90Ra					
Lighting Distribution	12°/15°/25°/50°/25*105°/20°*40°-P10°/WB-P30°/NB-P55°/MB-P55°/VWB-P55° (Hundreds of light distribution for different level projects)					
LED Driver	MOSO		Inventronics			
Input Voltage	AC200-440V		AC100-277V/ AC200-480V			
Frequency	50 / 60 Hz					
Power Factor	≥0.9 at Max load					
FF (Flicker Factor)	<1%					
Power Efficiency	≥0.95					
THD	<15%					
Surge Protection	Line – Line 20kV, Line – FG 20kV					
Control Method	0-10V/ DALI/WIFI/DMX					
Size	Inch	25.31"x 12.13"x12.28"		27.56"x12.36"x15.04"		
	mm	643x308x312mm		700x314x382mm		
Frontal Surface (Front EPA)	0.14m ² (1.52ft ²)		0.288m ² (3.1ft ²)			
Side Surface (Side EPA)	0.055m ² (0.6ft ²)		0.11m ² (1.22ft ²)			
Weight (Remote mounting driver box)	Lamp	11.65Kgs		19.5kgs		
	Driver Box	3±0.5kgs		9±0.5kgs		
Housing Material	Finishing powder coated AL1070 pure aluminum for marine salt protection and swimming pool applications.					
Optic lens and cover	UV protected optical Lens (PC cover 3.0mm optional)					
Cut-off Shield (optional)	Finishing powder coated galvanized iron sheet Metal (Marine Specialty Painting if required)					
Mounting Bracket	Finishing powder coated galvanized iron sheet metal (Marine Specialty Painting if required)					
IP Rating	IP66					
Operating Temperature	-104°F~122°F / -40°C ~ 50°C					
Warranty	7Years					

LED Flood Light
HARMONY G3 E Series

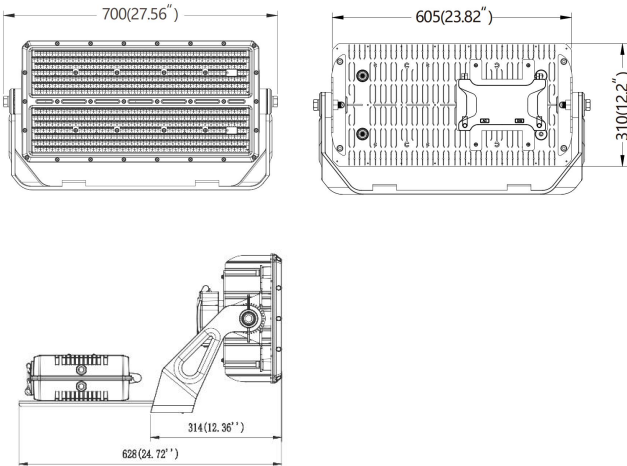
Dimensional Drawings

HARMONY G3 LED Flood Light

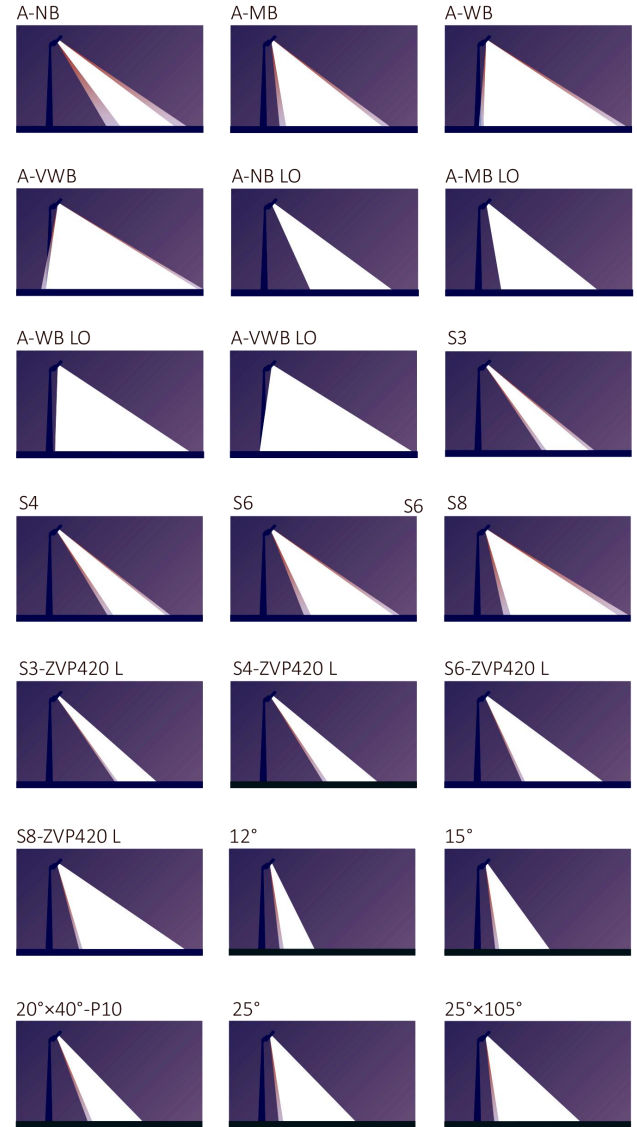
AFL09-G3500E/AFL09-G3600E



AFL09-G3750E/AFL09-G31000E/AFL09-G31200E/
 AFL09-G31500E



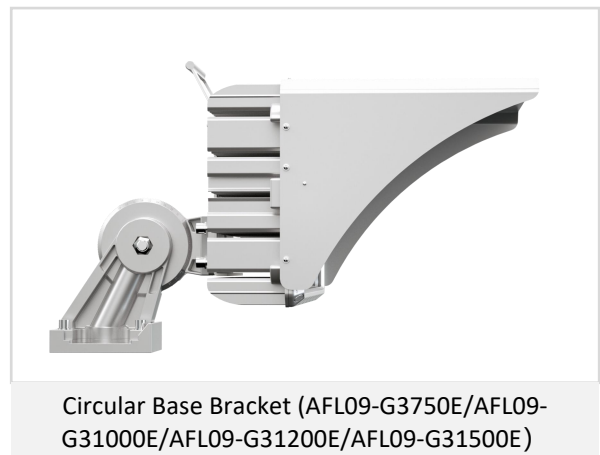
Photometric



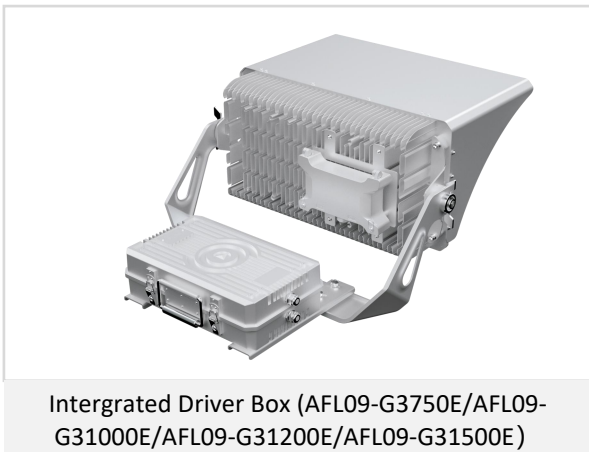
Installation Reference (Optional)



Intergrated Driver Box
(AFL09-G3500E/AFL09-G3600E)



Circular Base Bracket (AFL09-G3750E/AFL09-G31000E/AFL09-G31200E/AFL09-G31500E)



Intergrated Driver Box (AFL09-G3750E/AFL09-G31000E/AFL09-G31200E/AFL09-G31500E)



Remote Mounting Driver Dox (AFL09-G3750E/AFL09-G31000E/AFL09-G31200E/AFL09-G31500E)