

OPSUN PRO FLOODLIGHT

PROFESSIONAL SERIES FLOODLIGHT



UP TO
70%

ENERGY SAVING

UP TO
160-170LM/W

SYSTEM EFFICACY

LIFETIME OF
>50,000

HOURS TO L70

7 BEAM PROFILES

IP65 & IK10 RATED

AVAILABLE FROM 100W-600W

LUMILEDS CHIP, MEAN WELL DRIVER



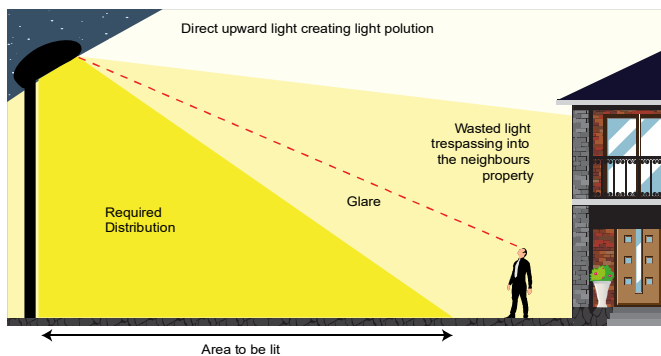
MEET THE FAMILY

The OpSun Pro offers a large range of wattages giving you maximum flexibility when designing the smallest project to the largest. By using quality components we are able to achieve up to 160-170lm/W throughout the range topping out at a massive 102,000 lumens.

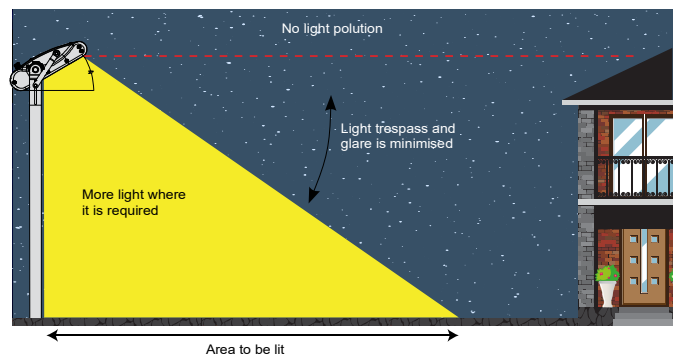


PUTTING THE LIGHT WHERE IT'S WANTED

The LED OpSun Pro Floodlight series uses our custom wide beam profile to put the light where it's wanted and not in your neighbour's property. By using an asymmetric 85°x135° beam profile we can take the wasted light that is normally produced by conventional floodlights and direct it where it's needed, giving you a higher illuminance while delivering excellent uniformity and minimising glare.



STANDARD FLOODLIGHT WITH WIDE SYMMETRICAL BEAM



OPSUN PRO FLOODLIGHT WITH ASYMMETRIC BEAM PROFILE (comes standard)



SUPERIOR COOLING PERFORMANCE

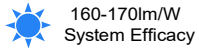
The OpSun Pro has been designed with cooling in mind. Our modular design allows for efficient cooling via convection through the structure's ventilation. The Mean Well driver is housed in a separate chamber away from the critical LED components to ensure the complete system life is maximized.

BUILT TO LAST

To ensure the OpSun Pro will survive even the toughest of conditions we constructed it out of a low copper content aluminium alloy and coated it with a high performance pure epoxy-polyester anti-corrosion protective coating. For extra protection make sure you combine it with our 304/316 stainless steel bracket.



PROFESSIONAL SERIES HIGH OUTPUT LED FLOODLIGHT



160-170lm/W
System Efficacy



5 year
Warranty



IP65
Rated



IK10
Rated



FEATURES

- Ultra efficient system efficacy of up to 160-170lm/W
- High quality Lumileds LED chips and Mean Well Driver
- Multiple beam angles available
- Tough IP65 and IK10 construction
- Suitable for coastal areas (with optional 304/316 stainless steel bracket)
- Epoxy-Polyester anti-corrosion coating

LIGHTING DATA

LIGHT SOURCE	Lumileds 5050
LUMEN OUTPUT	16,000lm-17,000lm
LUMINAIRE EFFICACY	160-170lm/W
LIFETIME @L80 (TM-21)	67,000hrs
LIFETIME @L90 (TM-21)	29,000hrs
CCT	5000K (Further CCT's on request)
CRI	>70 (CRI80, CRI90 on request)
SDCM	<5
BEAM ANGLE	15° / 30° / 60° / 90° / 85°x135° / 70°x140° / 60°x130°

ELECTRICAL DATA

POWER SOURCE	Mean Well ELG-100-48A
SYSTEM WATTAGE	100W
MAINS VOLTAGE	AC100-277V / 50-60 Hz
POWER FACTOR	≥0.97
THD	<20%
INRUSH CURRENT	60A
DRIVER LIFETIME	>50,000hrs
CONNECTION	1.5m 3 core cable
DIMMABLE OPTIONS	DALI, 1-10V

DESIGN / CONSTRUCTION

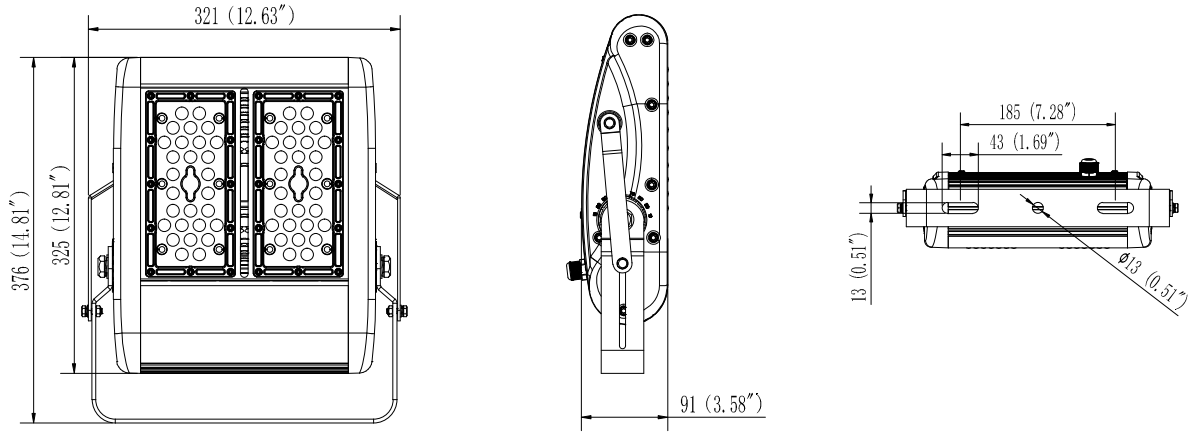
HOUSING MATERIAL	Corrosion-resistant aluminium
LENS MATERIAL	Polycarbonate
BRACKET MATERIAL	Hot-dip galvanised iron
BRACKET TYPE	Straight
POWDER COAT	Epoxy-Polyester hybrid
COLOUR	Graphite black (RAL 9011)
WEIGHT	6.0kg
CODE	LUX-FL-100H

TECHNICAL DATA

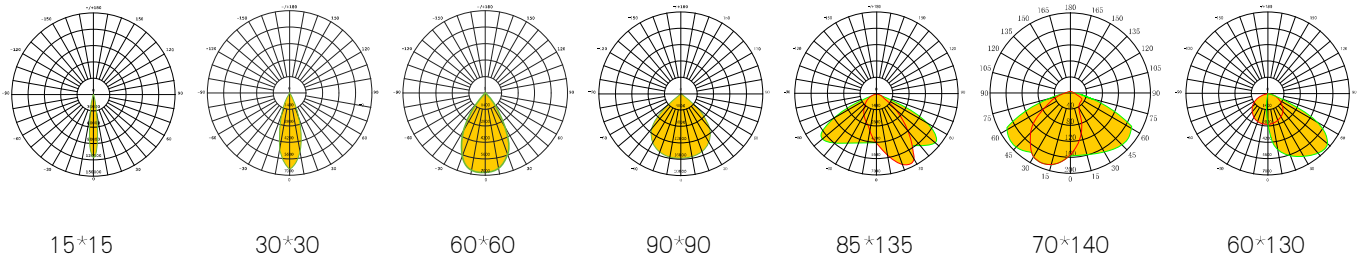
IP RATING	IP65
IK RATING	IK10
OPERATING TEMP	-30° to +45°C
PROTECTION CLASS	Class 1
CERTIFICATIONS	UL/ENEC/CB/SAA/TUV-CE/ROHS
DOCUMENTATION	LM-79 / LM-80 / ISTMT / TM-21
WARRANTY	Standard 5 year warranty

PROFESSIONAL SERIES HIGH OUTPUT LED FLOODLIGHT

DIMENSIONS




PHOTOMETRIC DIAGRAM



IMAGES



PROFESSIONAL SERIES HIGH OUTPUT LED FLOODLIGHT

 160-170lm/W
System Efficacy

 5 year
Warranty

 IP65
Rated

 IK10
Rated



FEATURES

- Ultra efficient system efficacy of up to 160-170lm/W
- High quality Lumileds LED chips and Mean Well Driver
- Multiple beam angles available
- Tough IP65 and IK10 construction
- Suitable for coastal areas (with optional 304/316 stainless steel bracket)
- Epoxy-Polyester anti-corrosion coating

LIGHTING DATA

LIGHT SOURCE LUMEN	Lumileds 5050
OUTPUT LUMINAIRE	24,000lm-25,500lm
EFFICACY LIFETIME @L80 (TM-21) LIFETIME @L90 (TM-21)	160-170lm/W 67,000hrs 29,000hrs
CCT	5000K (Further CCT's on request)
CRI	>70 (CRI80, CRI90 on request)
SDCM	<5
BEAM ANGLE	15° / 30° / 60° / 90° / 85°x135° / 70°x140° / 60°x130°

ELECTRICAL DATA

POWER SOURCE	Mean Well ELG-150-48A
SYSTEM WATTAGE	150W
MAINS VOLTAGE	AC100-277V / 50-60 Hz
POWER FACTOR	≥0.97
THD	<20%
INRUSH CURRENT	65A
DRIVER LIFETIME	>50,000hrs
CONNECTION	1.5m 3 core cable
DIMMABLE OPTIONS	DALI, 1-10V

DESIGN / CONSTRUCTION

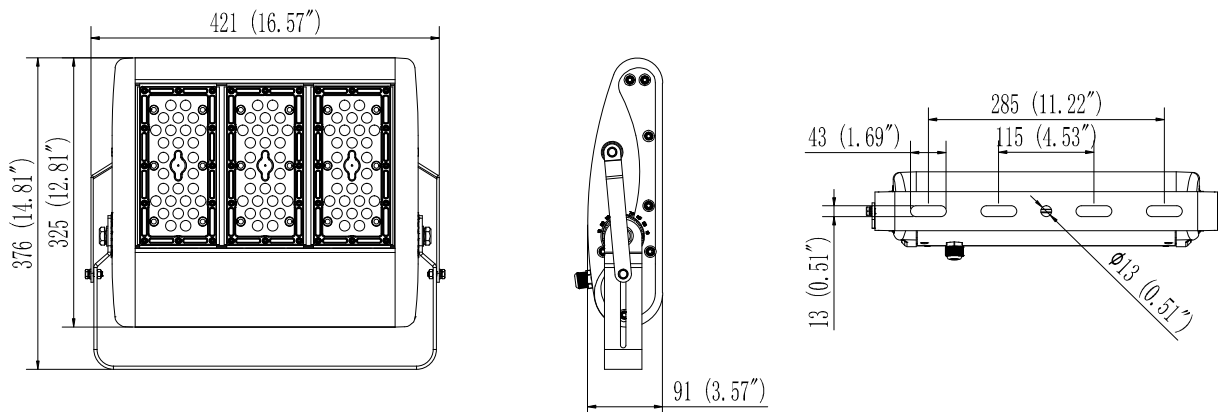
HOUSING MATERIAL	Corrosion-resistant aluminium
LENS MATERIAL	Polycarbonate
BRACKET MATERIAL	Hot-dip galvanised iron
BRACKET TYPE	Straight
POWDER COAT	Epoxy-Polyester hybrid
COLOUR	Graphite black (RAL 9011)
WEIGHT	7.33kg
CODE	LUX-FL-150H

TECHNICAL DATA

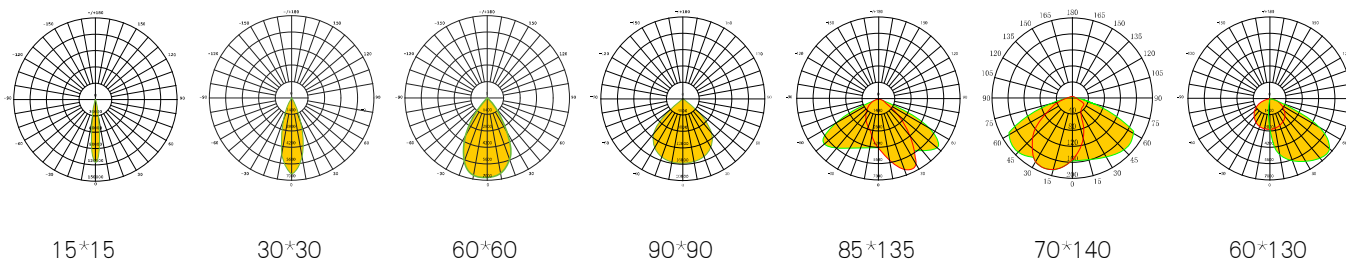
IP RATING	IP65
IK RATING	IK10
OPERATING TEMP	-30° to +45°C
PROTECTION CLASS	Class 1
CERTIFICATIONS	UL/ENEC/CB/SAA/TUV-CE/ROHS
DOCUMENTATION	LM-79 / LM-80 / ISTMT / TM-21
WARRANTY	Standard 5 year warranty

PROFESSIONAL SERIES HIGH OUTPUT LED FLOODLIGHT

DIMENSIONS



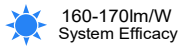
PHOTOMETRIC DIAGRAM



IMAGES



PROFESSIONAL SERIES HIGH OUTPUT LED FLOODLIGHT



160-170lm/W
System Efficacy



5 year
Warranty



IP65
Rated



IK10
Rated



FEATURES

- Ultra efficient system efficacy of up to 160-170lm/W
- High quality Lumileds LED chips and Mean Well Driver
- Multiple beam angles available
- Tough IP65 and IK10 construction
- Suitable for coastal areas (with optional 304/316 stainless steel bracket)
- Epoxy-Polyester anti-corrosion coating

LIGHTING DATA

LIGHT SOURCE	Lumileds 5050
LUMEN OUTPUT	32,000lm-34,000lm
LUMINAIRE EFFICACY	160-170lm/W
LIFETIME @L80 (TM-21)	67,000hrs
LIFETIME @L90 (TM-21)	29,000hrs
CCT	5000K (Further CCT's on request)
CRI	>70 (CRI80, CRI90 on request)
SDCM	<5
BEAM ANGLE	15° / 30° / 60° / 90° / 85°x135° / 70°x140° / 60°x130°

ELECTRICAL DATA

POWER SOURCE	Mean Well ELG-240-48A
SYSTEM WATTAGE	200W
MAINS VOLTAGE	AC100-277V / 50-60 Hz
POWER FACTOR	≥0.97
THD	<20%
INRUSH CURRENT	60A
DRIVER LIFETIME	>50,000hrs
CONNECTION	1.5m 3 core cable
DIMMABLE OPTIONS	DALI, 1-10V

DESIGN / CONSTRUCTION

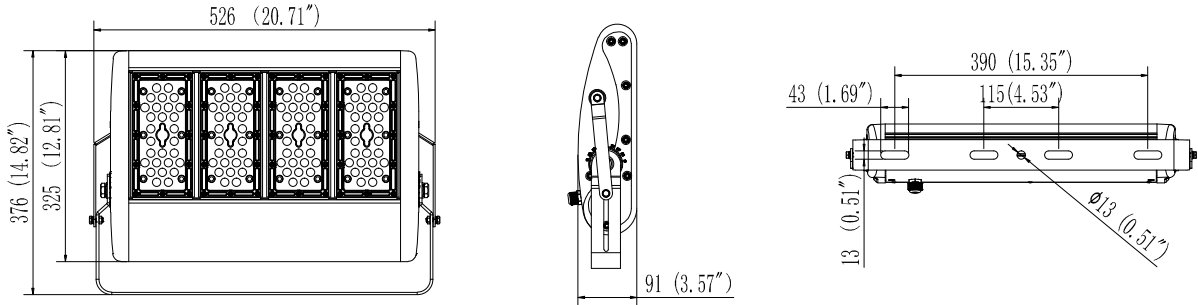
HOUSING MATERIAL	Corrosion-resistant aluminium
LENS MATERIAL	Polycarbonate
BRACKET MATERIAL	Hot-dip galvanised iron
BRACKET TYPE	Straight
POWDER COAT	Epoxy-Polyester hybrid
COLOUR	Graphite black (RAL 9011)
WEIGHT	10.73kg
CODE	LUX-FL-200H

TECHNICAL DATA

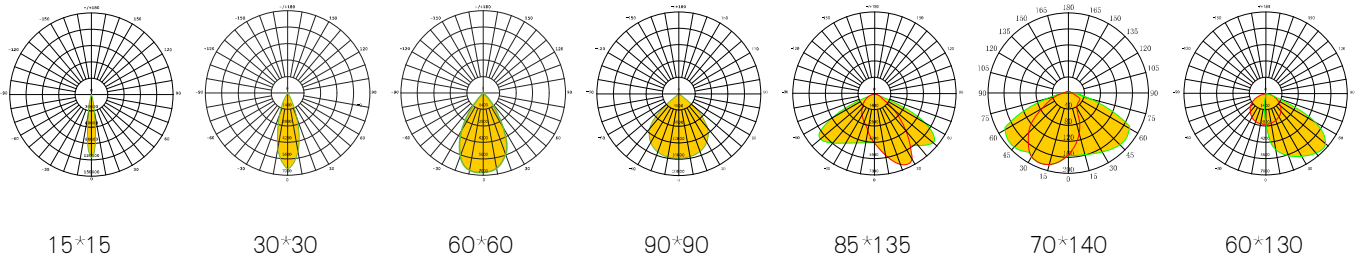
IP RATING	IP65
IK RATING	IK10
OPERATING TEMP	-30° to +45°C
PROTECTION CLASS	Class 1
CERTIFICATIONS	UL/ENEC/CB/SAA/TUV-CE/ROHS
DOCUMENTATION	LM-79 / LM-80 / ISTMT / TM-21
WARRANTY	Standard 5 year warranty

PROFESSIONAL SERIES HIGH OUTPUT LED FLOODLIGHT

DIMENSIONS



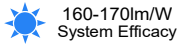
PHOTOMETRIC DIAGRAM



IMAGES



PROFESSIONAL SERIES HIGH OUTPUT LED FLOODLIGHT



160-170lm/W
System Efficacy



5 year
Warranty



IP65
Rated



IK10
Rated



FEATURES

- Ultra efficient system efficacy of up to 160-170lm/W
- High quality Lumileds LED chips and Mean Well Driver
- Multiple beam angles available
- Tough IP65 and IK10 construction
- Suitable for coastal areas (with optional 304/316 stainless steel bracket)
- Epoxy-Polyester anti-corrosion coating

LIGHTING DATA

LIGHT SOURCE	Lumileds 5050
LUMEN OUTPUT	40,000lm-42,500lm
LUMINAIRE EFFICACY	160-170lm/W
LIFETIME @L80 (TM-21)	67,000hrs
LIFETIME @L90 (TM-21)	29,000hrs
CCT	5000K (Further CCT's on request)
CRI	>70 (CRI80, CRI90 on request)
SDCM	<5
BEAM ANGLE	15° / 30° / 60° / 90° / 85°x135° / 70°x140° / 60°x130°

ELECTRICAL DATA

POWER SOURCE	Mean Well ELG-100-48A ELG-150-48A
SYSTEM WATTAGE	250W
MAINS VOLTAGE	AC100-277V / 50-60 Hz
POWER FACTOR	≥0.97
THD	<20%
INRUSH CURRENT	65A
DRIVER LIFETIME	>50,000hrs
CONNECTION	1.5m 3 core cable
DIMMABLE OPTIONS	DALI, 1-10V

DESIGN / CONSTRUCTION

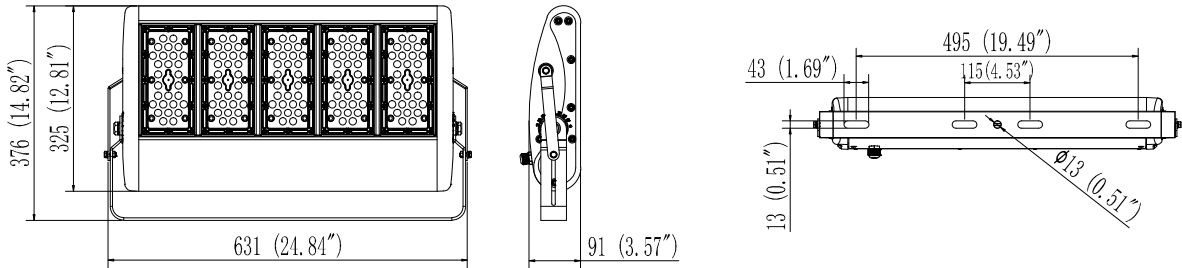
HOUSING MATERIAL	Corrosion-resistant aluminium
LENS MATERIAL	Polycarbonate
BRACKET MATERIAL	Hot-dip galvanised iron
BRACKET TYPE	Straight
POWDER COAT	Epoxy-Polyester hybrid
COLOUR	Graphite black (RAL 9011)
WEIGHT	11.5kg
CODE	LUX-FL-250H

TECHNICAL DATA

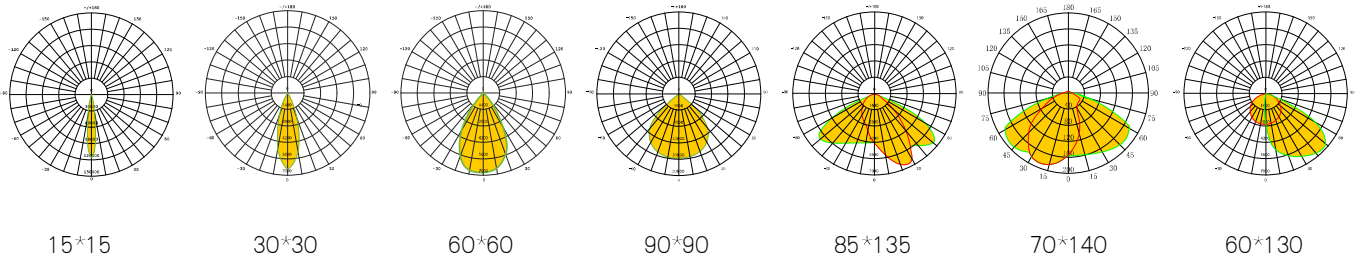
IP RATING	IP65
IK RATING	IK10
OPERATING TEMP	-30° to +45°C
PROTECTION CLASS	Class 1
CERTIFICATIONS	UL/ENEC/CB/SAA/TUV-E/ROHS
DOCUMENTATION	LM-79 / LM-80 / ISTMT / TM-21
WARRANTY	Standard 5 year warranty

PROFESSIONAL SERIES HIGH OUTPUT LED FLOODLIGHT

DIMENSIONS



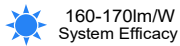
PHOTOMETRIC DIAGRAM



IMAGES



PROFESSIONAL SERIES HIGH OUTPUT LED FLOODLIGHT



160-170lm/W
System Efficacy



5 year
Warranty



IP65
Rated



IK10
Rated

FEATURES

- Ultra efficient system efficacy of up to 160-170lm/W
- High quality Lumileds LED chips and Mean Well Driver
- Multiple beam angles available
- Tough IP65 and IK10 construction
- Suitable for coastal areas (with optional 304/316 stainless steel bracket)
- Epoxy-Polyester anti-corrosion coating



LIGHTING DATA

LIGHT SOURCE	Lumileds 5050
LUMEN OUTPUT	48,000lm-51,000lm
LUMINAIRE EFFICACY	160-170lm/W
LIFETIME @L80 (TM-21)	67,000hrs
LIFETIME @L90 (TM-21)	29,000hrs
CCT	5000K (Further CCT's on request)
CRI	>70 (CRI80, CRI90 on request)
SDCM	<5
BEAM ANGLE	15° / 30° / 60° / 90° / 85°x135° / 70°x140° / 60°x130°

ELECTRICAL DATA

POWER SOURCE	Mean Well HLG-320-48A
SYSTEM WATTAGE	300W
MAINS VOLTAGE	AC100-277V / 50-60 Hz
POWER FACTOR	≥0.97
THD	<20%
INRUSH CURRENT	70A
DRIVER LIFETIME	>50,000hrs
CONNECTION	1.5m 3 core cable
DIMMABLE OPTIONS	DALI, 1-10V

DESIGN / CONSTRUCTION

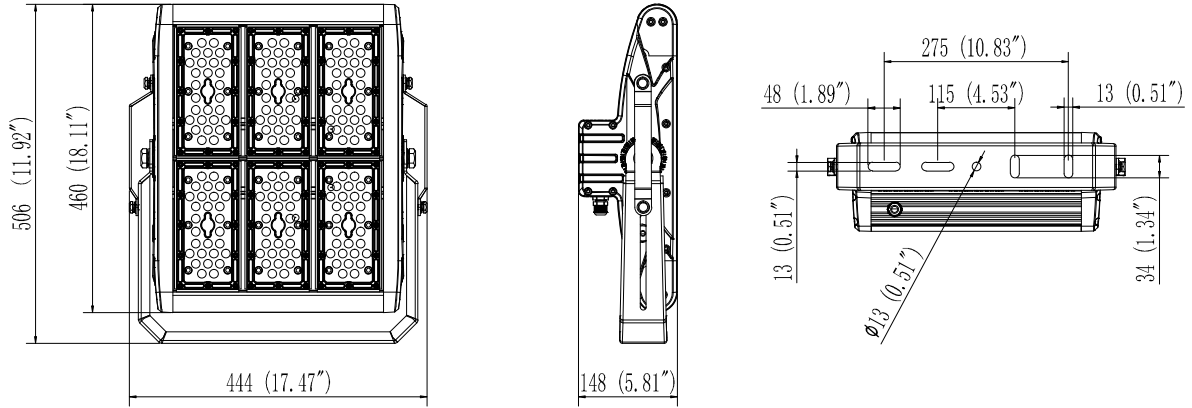
HOUSING MATERIAL	Corrosion-resistant aluminium
LENS MATERIAL	Polycarbonate
BRACKET MATERIAL	Hot-dip galvanised iron
BRACKET TYPE	Straight
POWDER COAT	Epoxy-Polyester hybrid
COLOUR	Graphite black (RAL 9011)
WEIGHT	12.51kg
CODE	LUX-FL-300H

TECHNICAL DATA

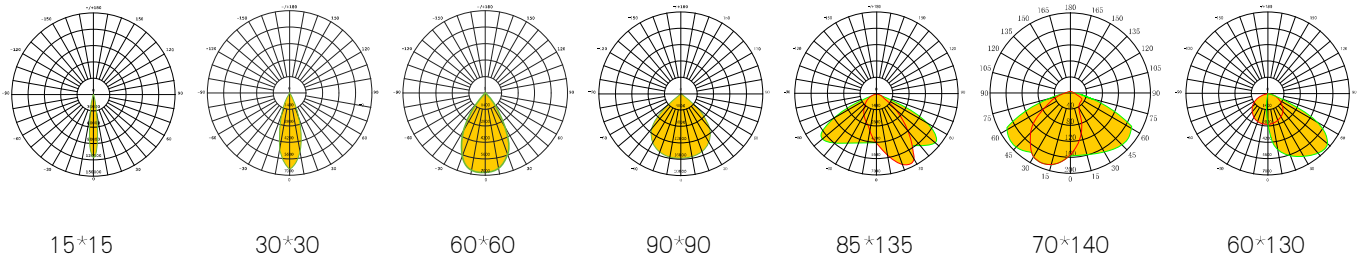
IP RATING	IP65
IK RATING	IK10
OPERATING TEMP	-30° to +45°C
PROTECTION CLASS	Class 1
CERTIFICATIONS	UL/ENEC/CB/SAA/TUV-CE/ROHS
DOCUMENTATION	LM-79 / LM-80 / ISTMT / TM-21
WARRANTY	Standard 5 year warranty

PROFESSIONAL SERIES HIGH OUTPUT LED FLOODLIGHT

DIMENSIONS




PHOTOMETRIC DIAGRAM



IMAGES



PROFESSIONAL SERIES HIGH OUTPUT LED FLOODLIGHT

 160-170lm/W
System Efficacy

 5 year
Warranty

 IP65
Rated

 IK10
Rated



FEATURES

- Ultra efficient system efficacy of up to 160-170lm/W
- High quality Lumileds LED chips and Mean Well Driver
- Multiple beam angles available
- Tough IP65 and IK10 construction
- Suitable for coastal areas (with optional 304/316 stainless steel bracket)
- Epoxy-Polyester anti-corrosion coating

LIGHTING DATA

LIGHT SOURCE	Lumileds 5050
LUMEN OUTPUT	64,000lm-68,000lm
LUMINAIRE EFFICACY	160-170lm/W
LIFETIME @L80 (TM-21)	67,000hrs
LIFETIME @L90 (TM-21)	29,000hrs
CCT	5000K (Further CCT's on request)
CRI	>70 (CRI80, CRI90 on request)
SDCM	<5
BEAM ANGLE	15° / 30° / 60° / 90° / 85°x135° / 70°x140° / 60°x130°

DESIGN / CONSTRUCTION

HOUSING MATERIAL	Corrosion-resistant aluminium
LENS MATERIAL	Polycarbonate
BRACKET MATERIAL	Hot-dip galvanised iron
BRACKET TYPE	Straight
POWDER COAT	Epoxy-Polyester hybrid
COLOUR	Graphite black (RAL 9011)
WEIGHT	19.45kg
CODE	LUX-FL-400H

ELECTRICAL DATA

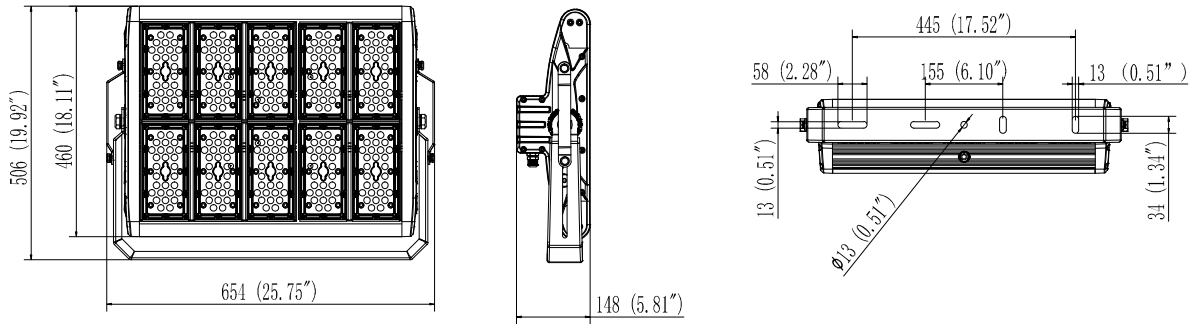
POWER SOURCE	Mean Well ELG-240-48A x2
SYSTEM WATTAGE	400W
MAINS VOLTAGE	AC100-277V / 50-60 Hz
POWER FACTOR	≥0.97
THD	<20%
INRUSH CURRENT	60A
DRIVER LIFETIME	>50,000hrs
CONNECTION	1.5m 3 core cable
DIMMABLE OPTIONS	DALI, 1-10V

TECHNICAL DATA

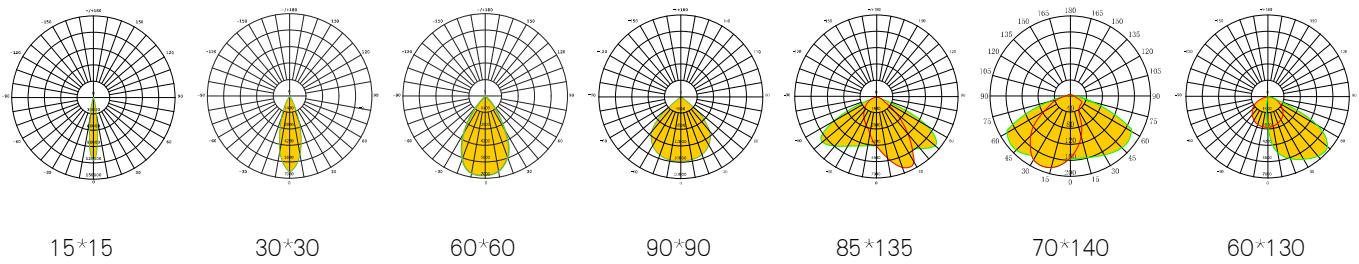
IP RATING	IP65
IK RATING	IK10
OPERATING TEMP	-30° to +45°C
PROTECTION CLASS	Class 1
CERTIFICATIONS	UL/ENEC/CB/SAA/TUV-E/ROHS
DOCUMENTATION	LM-79 / LM-80 / ISTMT / TM-21
WARRANTY	Standard 5 year warranty

PROFESSIONAL SERIES HIGH OUTPUT LED FLOODLIGHT

DIMENSIONS



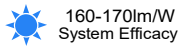
PHOTOMETRIC DIAGRAM



IMAGES



PROFESSIONAL SERIES HIGH OUTPUT LED FLOODLIGHT



160-170lm/W
System Efficacy



5 year
Warranty



IP65
Rated



IK10
Rated



FEATURES

- Ultra efficient system efficacy of up to 160-170lm/W
- High quality Lumileds LED chips and Mean Well Driver
- Multiple beam angles available
- Tough IP65 and IK10 construction
- Suitable for coastal areas (with optional 304/316 stainless steel bracket)
- Epoxy-Polyester anti-corrosion coating

LIGHTING DATA

LIGHT SOURCE	Lumileds 5050
LUMEN OUTPUT	80,000lm-85,000lm
LUMINAIRE EFFICACY	160-170lm/W
LIFETIME @L80 (TM-21)	67,000hrs
LIFETIME @L90 (TM-21)	29,000hrs
CCT	5000K (Further CCT's on request)
CRI	>70 (CRI80, CRI90 on request)
SDCM	<5
BEAM ANGLE	15° / 30° / 60° / 90° / 85°x135° / 70°x140° / 60°x130°

ELECTRICAL DATA

POWER SOURCE	Mean Well HLG-320H-48A ELG-240-48A
SYSTEM WATTAGE	500W
MAINS VOLTAGE	AC100-277V / 50-60 Hz
POWER FACTOR	≥0.97
THD	<20%
INRUSH CURRENT	70A
DRIVER LIFETIME	>50,000hrs
CONNECTION	1.5m 3 core cable
DIMMABLE OPTIONS	DALI, 1-10V

DESIGN / CONSTRUCTION

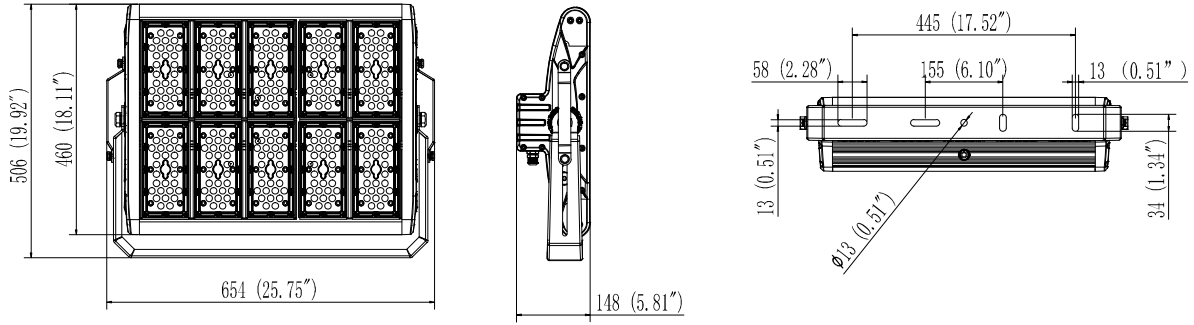
HOUSING MATERIAL	Corrosion-resistant aluminium
LENS MATERIAL	Polycarbonate
BRACKET MATERIAL	Hot-dip galvanised iron
BRACKET TYPE	Straight
POWDER COAT	Epoxy-Polyester hybrid
COLOUR	Graphite black (RAL 9011)
WEIGHT	20.19kg
CODE	LUX-FL-500H

TECHNICAL DATA

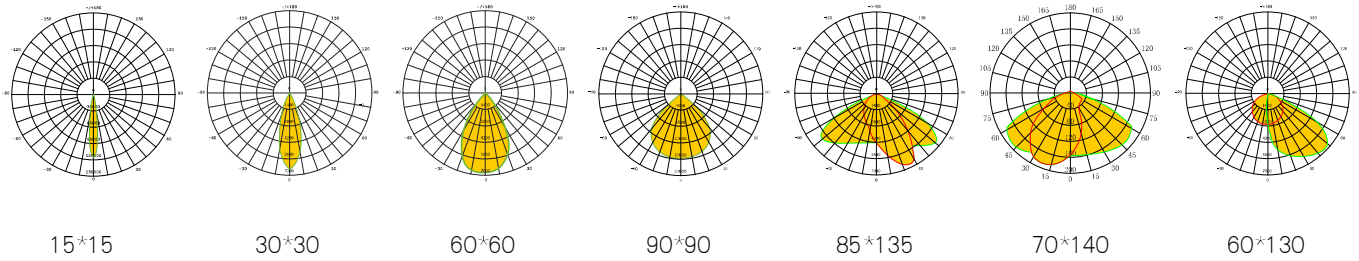
IP RATING	IP65
IK RATING	IK10
OPERATING TEMP	-30° to +45°C
PROTECTION CLASS	Class 1
CERTIFICATIONS	UL/ENEC/CB/SAA/TUV-E/ROHS
DOCUMENTATION	LM-79 / LM-80 / ISTMT / TM-21
WARRANTY	Standard 5 year warranty

PROFESSIONAL SERIES HIGH OUTPUT LED FLOODLIGHT

DIMENSIONS



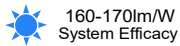
PHOTOMETRIC DIAGRAM



IMAGES



PROFESSIONAL SERIES HIGH OUTPUT LED FLOODLIGHT



160-170lm/W
System Efficacy



5 year
Warranty



IP65
Rated



IK10
Rated



FEATURES

- Ultra efficient system efficacy of up to 160-170lm/W
- High quality Lumileds LED chips and Mean Well Driver
- Multiple beam angles available
- Tough IP65 and IK10 construction
- Suitable for coastal areas (with optional 304/316 stainless steel bracket)
- Epoxy-Polyester anti-corrosion coating

LIGHTING DATA

LIGHT SOURCE	Lumileds 5050
LUMEN OUTPUT	96,000lm-102,000lm
LUMINAIRE EFFICACY	160-170lm/W
LIFETIME @L80 (TM-21)	67,000hrs
LIFETIME @L90 (TM-21)	29,000hrs
CCT	5000K (Further CCT's on request)
CRI	>70 (CRI80, CRI90 on request)
SDCM	<5
BEAM ANGLE	15° / 30° / 60° / 90° / 85°x135° / 70°x140° / 60°x130°

DESIGN / CONSTRUCTION

HOUSING MATERIAL	Corrosion-resistant aluminium
LENS MATERIAL	Polycarbonate
BRACKET MATERIAL	Hot-dip galvanised iron
BRACKET TYPE	Oblique
POWDER COAT	Epoxy-Polyester hybrid
COLOUR	Graphite black (RAL 9011)
WEIGHT	23.15kg
CODE	LUX-FL-600H

ELECTRICAL DATA

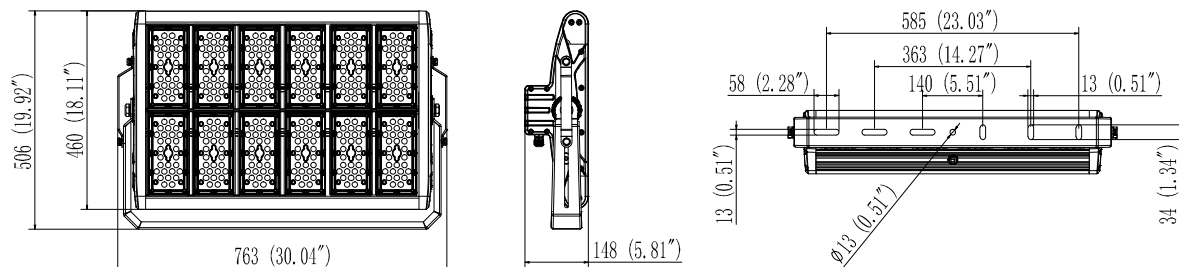
POWER SOURCE	Mean Well HLG-320H-48A x 2
SYSTEM WATTAGE	600W
MAINS VOLTAGE	AC100-277V / 50-60 Hz
POWER FACTOR THD	≥0.97
INRUSH CURRENT	<20%
DRIVER LIFETIME	70A
CONNECTION	>50,000hrs
DIMMABLE OPTIONS	1.5m 3 core cable DALI, 1-10V

TECHNICAL DATA

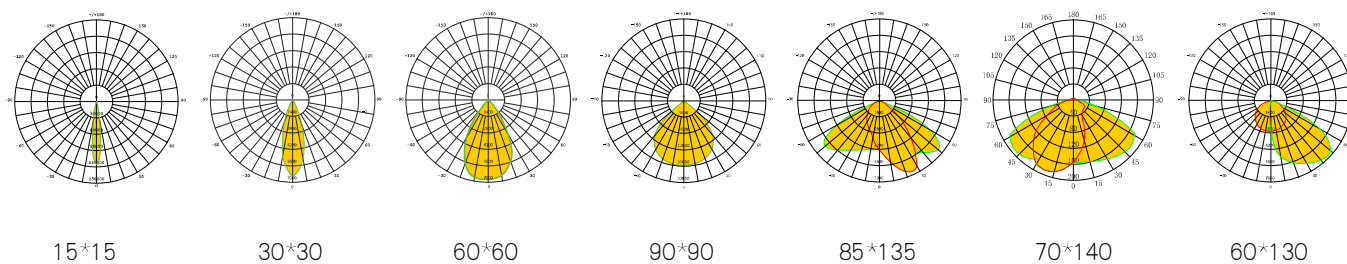
IP RATING	IP65
IK RATING	IK10
OPERATING TEMP	-30° to +45°C
PROTECTION CLASS	Class 1
CERTIFICATIONS	UL/ENEC/CB/SAA/TUV-E/ROHS
DOCUMENTATION	LM-79 / LM-80 / ISTMT / TM-21
WARRANTY	Standard 5 year warranty

PROFESSIONAL SERIES HIGH OUTPUT LED FLOODLIGHT

DIMENSIONS



PHOTOMETRIC DIAGRAM



IMAGES



PROFESSIONAL SERIES HIGH OUTPUT LED FLOODLIGHT

STAINLESS STEEL BRACKET



DESCRIPTION
MATERIAL
GRADE
INCLUDED
STOCKED

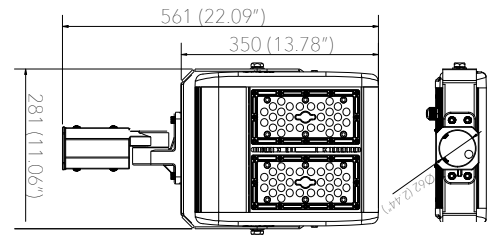
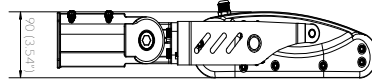
DESCRIPTION	Marine grade stainless steel, suitable for coastal areas
MATERIAL	Stainless steel
GRADE	304/316
INCLUDED	Bracket, nuts, bolts, washers
STOCKED	Yes

POLE MOUNT BRACKET FOR 100-150W



TILT
SPIGOT SIZE
MATERIAL
STOCKED

TILT	90° - 180°
SPIGOT SIZE	62mm
MATERIAL	Aluminium
STOCKED	Yes



GLARE SHIELD



DESCRIPTION
MATERIAL
STOCKED
PRODUCT CODE

DESCRIPTION	Designed for areas where light spill and glare is a concern.
MATERIAL	Aluminium
STOCKED	Indent only

100W	300W
150W	400W/500W
200W/250w	600W

A QUICK GUIDE FOR COMPARING THE SPECIFICATIONS OF THE WHOLE RANGE

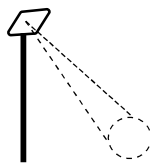
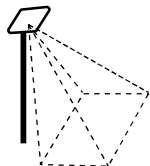
	LUX-FL-100H	LUX-FL-150H	LUX-FL-200H	LUX-FL-250H	LUX-FL-300H	LUX-FL-400H	LUX-FL-500H	LUX-FL-600H
Power	100W	150W	200W	250W	300W	400W	500W	600W
Lumen Output (max)	16,000lm- 17,000lm	24,000lm- 25,500lm	32,000lm- 34,000lm	40,000lm- 42,500lm	48,000lm- 51,000lm	64,000lm- 68,000lm	80,000lm- 85,000lm	96,000lm- 102,000lm
Efficacy (max)	160-170lm/W							
Life Span	>50,000hrs							
CCT	5000K (standard), 6000K, 4000K, 3000K (indent)							
CRI	>70/80							
Beam Angle	15°,30°, 60°, 90°, 85°x135°, 70°x140°, 60°x130° (standard)							
LED Chips	Lumileds 5050							
LED Driver	Mean Well Series							
Classifications	IP65; IK10; Class 1; RoHS							

OPSUN FLOODLIGHT REPLACEMENT CHART



OPSUN PRO	OPSUN (Standard)	METAL HALIDE	HALOGEN
LIFETIME: >50,000 HRS	>50,000 HRS	12,000 HRS	1,000 - 2,000 HRS
80W	100W		
100W	150W	320W	
150W	200W	400W	1500W
250W	300W	750W	
300W	400W	1000W	
500W	600W	1500W	
600W			

BEAM ANGLE	DISTRIBUTION	APPLICATION
15°x15°/30°x30°	Symmetric	Architectural, Accent Lighting, Sports Feilds
60°x60°	Symmetric	Area Lighting, Facade Lighting, Sports Courts
90°x90°	Symmetric	Area Lighting, Facade Lighting, Sports Courts
85°x135° 70°x140° (standard) 60°x130°	Asymmetric Wide	Area Lighting, Sign lighting, Sport Courts Lighting (Tennis, Netball, Basketball etc)

BEAM ANGLE	DISTRIBUTION	PATTERN
15°x15° 30°x30° 60°x60° 90°x90°	Symmetric	
85°x135° 70°x140° 60°x130°	Asymmetric	

BEAM ANGLE	SUGGESTED TILT ANGLE
85°x135° 70°x140° 60°x130°	A: 15°-45°

