

# VIMALUX

A brighter vision



## **SLAM** Anti-Glaring AFL05 LED FLOOD LIGHT

100W 150W 200W  
240W 300W



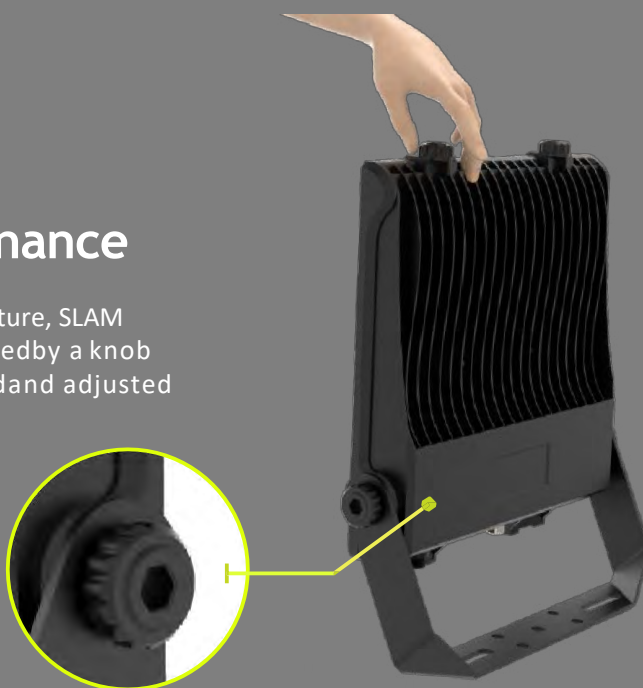


## SLAMFLOODLIGHT SERIES

The SMD terminal can be pluggable and installed between the PCB board and the driver which is for the future maintenance (replacement of the driver or the PCB board);

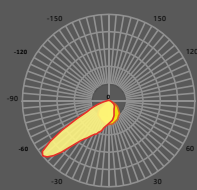
### Tool free open and maintenance

For the subsequent maintenance of the lamp fixture, SLAM Flood Light tempered glass and bracket are fixed by a knob type fixing method, and the lamp can be opened and adjusted without hand-tightening.

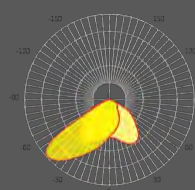


### Anti-Glaring

Anti-glaring light is required more and more for applications where people don't feel comfortable with the glaring light, especially in stadium. SLAM Series floodlight is the ideal solution for visual protection. Beam angle degree 97x47° (Type IV) and (135x60°) P50 are both available which are all anti-glaring and P50 (135x60°) is special lens for tennis court.



97x47° Type IV



P50

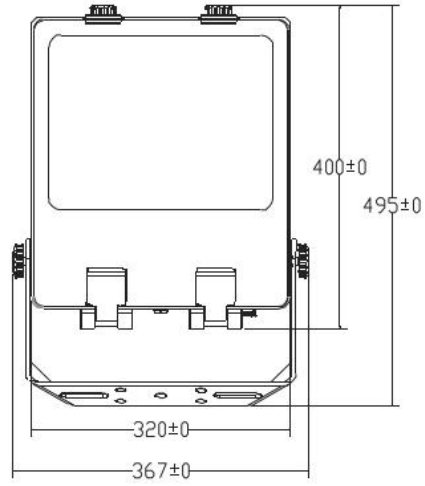
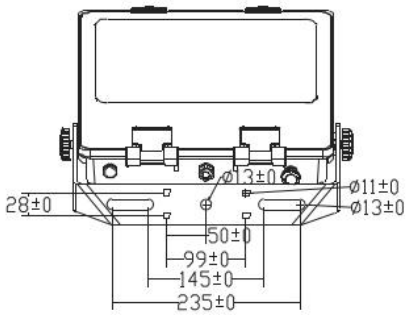
# SLAM AFL05 LED FLOODLIGHT

Model Name		AFL05-100	AFL05-150	AFL05-200	AFL05-240	AFL05-300
Power Consumption		100W	150W	200W	240W	300W
Light Source		Depends on efficiency				
CCT		5700K (4000K/5000K/3000K/2200K optional)				
Luminous Efficacy(Lm/W)		160Lm/W	155Lm/W	150Lm/W	145Lm/W	155Lm/W
Luminous Flux (Lm)		16000lm	23250lm	30000lm	34800lm	46500lm
Luminous Efficacy(Lm/W)		180LM/W	185LM/W	180LM/W	180LM/W	180LM/W
Luminous Flux (Lm)		18000lm	27000lm	36000lm	43200lm	54000lm
CRI		70 Ra	70 Ra	70 Ra	70 Ra	70 Ra
Lighting Distribution		20° / 40° / 60° / 90° / 120° / 97*47°(Type IV) / 135*60°(P50) special for tennis court				
LED Driver		Sosen / Meanwell / Inventronics				
Input Voltage		100-277VAC / 200-240VAC				
Frequency		50 / 60 Hz				
Power Efficiency		>0.92				
Surge Protection		Line – Line 20kV, Line – FG 20kV				
Control Method		0-10V/ DALI/WIFI/DALI/Zigbee/DMX				
Size	mm	L367X W69 X H495mm	L427X W69 X H495mm		L486 X W69 X H565mm	
Weight	Lamp	3.9Kg	5.4Kg		6.7Kg	
Housing Material		DC-12 Aluminium Alloy (<0.1% copper content)				
Optic lens and cover		PMMA (UV Resistance) Material Composition (Cover), Extra clear tempered glass protect				
Mounting Bracket		Post-top position, Side-entry position				
IP IK Rating		IP66, IK08				
Operating Temperature		-104°F~122°F / -40°C ~ 50°C				
Warranty		5 Years				

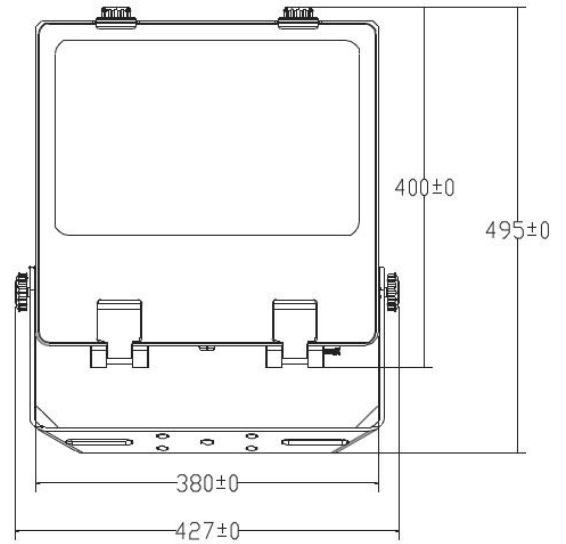
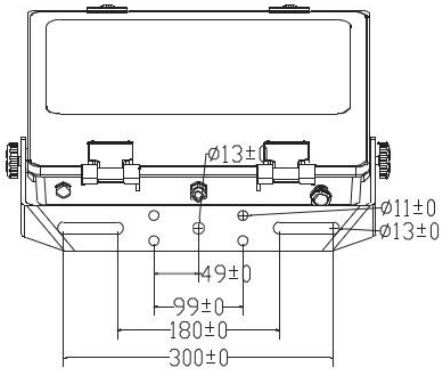
# SLAM AFL05 LED FLOODLIGHT

## DIMENSIONS

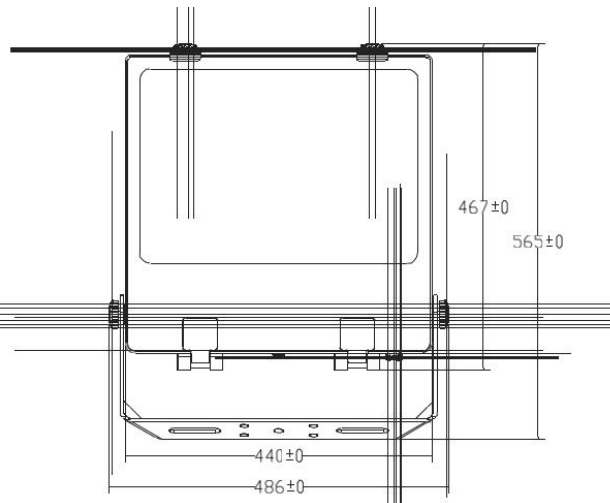
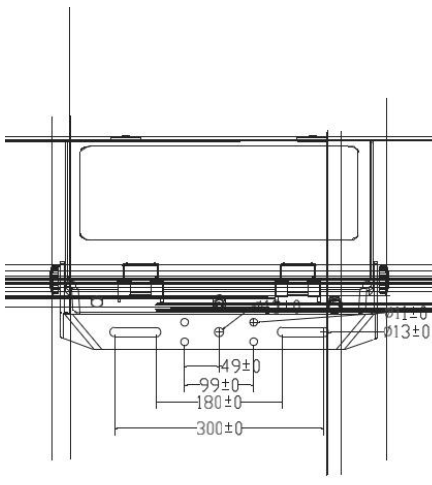
### 100w 150w



### 200w 240w



### 300w



# SLAM AFL05 LED FLOODLIGHT



## Quick wiring of multiple lamps

It is no need to open the lamp fixture and use screws, junction boxes, and Wago terminals to rewire internally. On the contrary, it will only require the male and female waterproof connectors for quick wiring, which greatly saves labor costs.



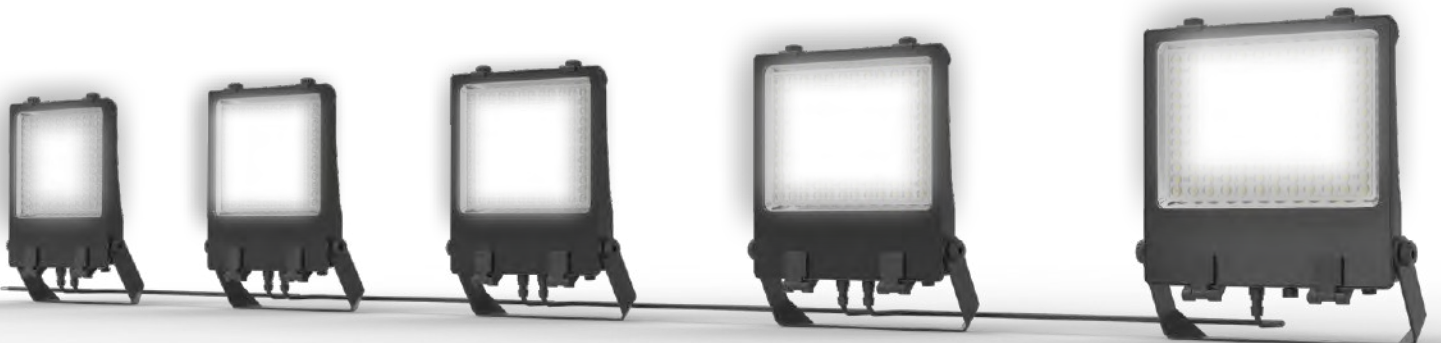
IP66 Waterproof connectors



The end can be covered with waterproof caps instead of using the wiring connector

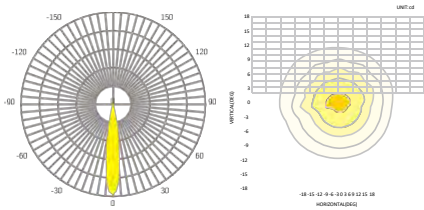


Cable length can be customized according to actual requirements

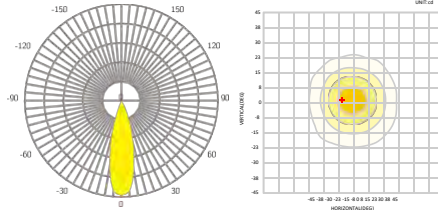


# SLAM AFL05 LED FLOODLIGHT

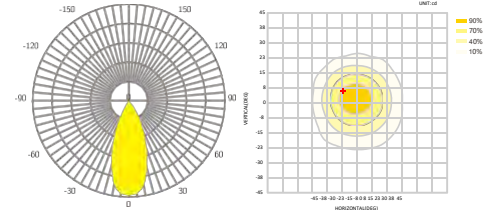
## PHOTOMETRIC OPTIONS



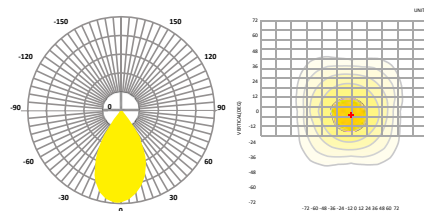
10°



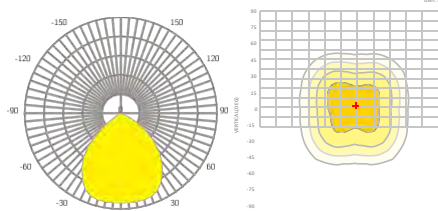
20°



40°

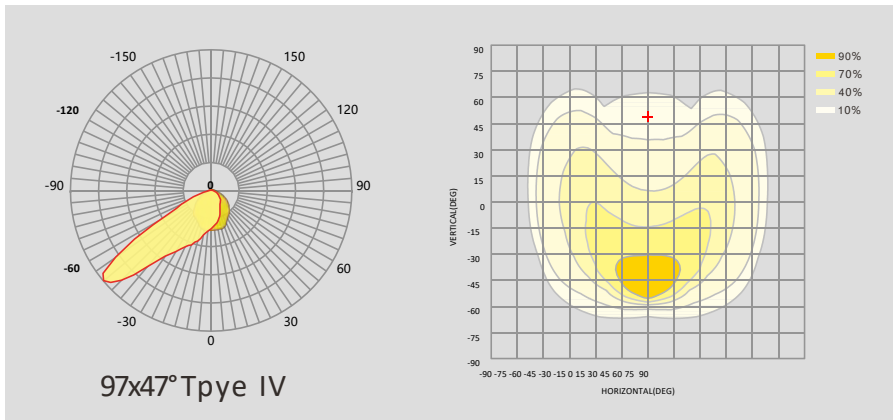


60°

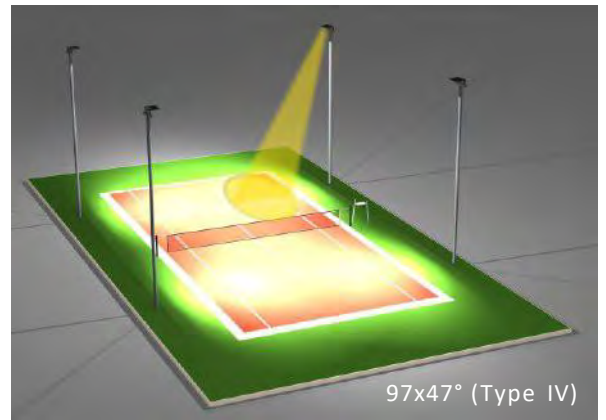


90°

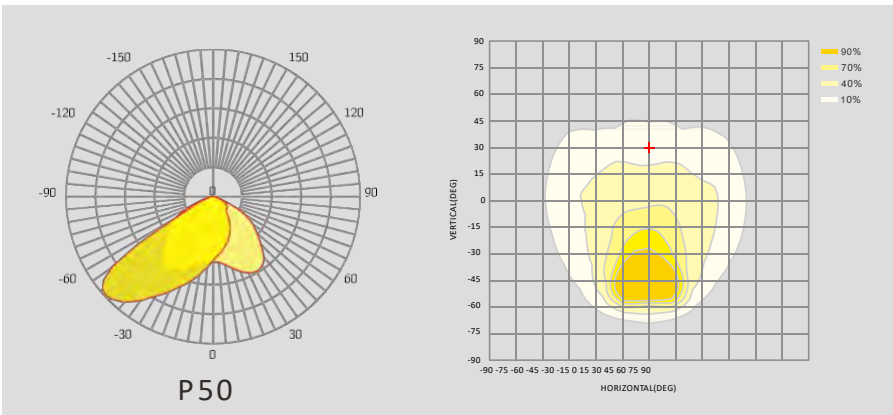
## Special for tennis court (Anti-Glaring)



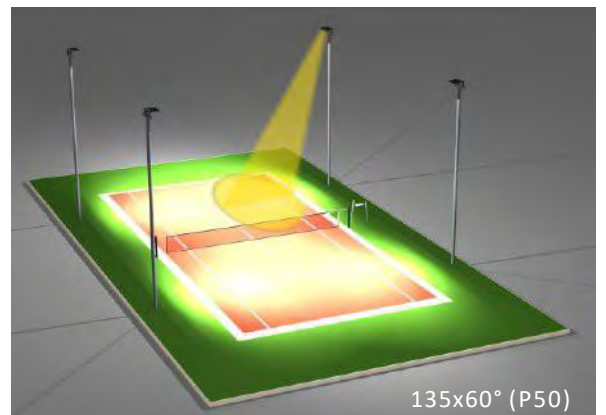
97x47° Type IV



97x47° (Type IV)



P50



135x60° (P50)

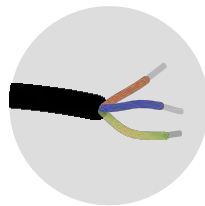
# SLAM AFL05 LED FLOODLIGHT

## Installation



## MOUNTING OPTIONS

A Variety of installation methods to meet your needs



Please make sure that all wires are connected correctly when you are installing it

- Live Wire
- Live Wire
- Neutral Wire
- Neutral Wire
- Earth Wire
- Earth Wire



Optional plug wires and Extended wires



# SLAM AFL05 LED FLOODLIGHT

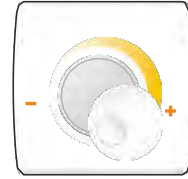
## Optional Accessories



Slip Fitter



Photocell sensor



1-10V Dimmable



SPD 10KV or 20KV



NEMA 3pin Photocell



Shorting Cap

## ACCESSORY:PHOTOCELL

This fixture is optional with photocell sensor



- Photocell integration controls  
120-277Volt **Optional**



Shorting Cap



NEMA Photocontrol