



VIMALUX

TOGETHER, FOR A BRIGHTER FUTURE



LED LANDSCAPE LIGHT

VILLA



www.vimalux.com



Villa Series

With its precise optics, astonishing luminous efficiency and elegant design, Villa can light up your world and transform your outdoor space into a magical scene, and you may pick from Standard, Frosted Glass, or Clear Glass versions to allow the aesthetic of your place to blossom.

Features & Benefits

1. Stylish and elegant design for better image
2. Die-casting aluminum housing, robust and reliable
3. Mast arm & post top mounting optional
4. Tool-free access realizes easy and fast maintenance
5. More sustainable with smart controls
6. Versatile optics options for more applications

Application



Residential Street



Pedestrian Path



Park & Square

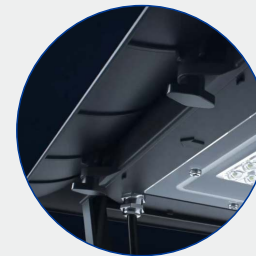


Tourist attraction



Supreme lighting performance

High efficient LEDs with precise and various light distribution optics



Tool-free maintenance

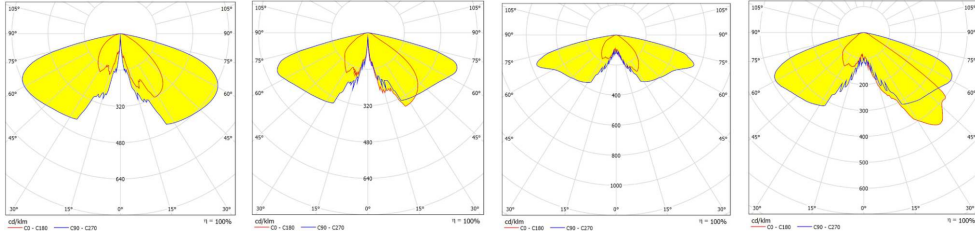
Innovative thumb screw design
Hinge for fix the top cover to the bracket

Future-proof & smart-ready

Compatible with NEMA and Zhaga Interfaces



Light Distributions



Type II (UNI-540)

Type II (UNI-618)

Type II (UNI-710)

Type II (UNI-711)

3030 Light Source

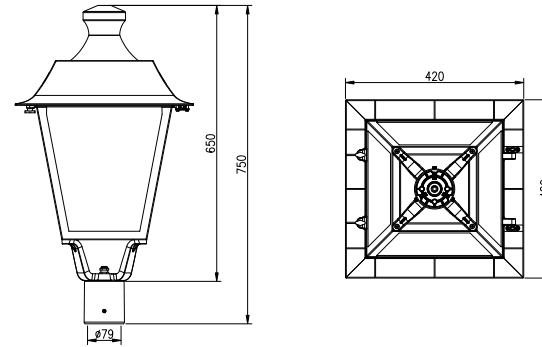
Power (W)	LED QTY (pcs)	Light Distribution	4000K Ra70@Ta=25°C		3000K Ra70@Ta=25°C	
			Luminaire Efficiency	Luminous Flux	Luminaire Efficiency	Luminous Flux
20	40	UNI-540	125 lm/W	2500 lm	117 lm/W	2340 lm
30	40			3750 lm		3510 lm
40	48			5000 lm		4680 lm
50	60			6250 lm		5850 lm
60	60			7500 lm		7020 lm
70	80			8750 lm		8190 lm
80	80			10000 lm		9360 lm

5050 Light Source

Power (W)	LED QTY (pcs)	Light Distribution	4000K Ra70@Ta=25°C		3000K Ra70@Ta=25°C	
			Luminaire Efficiency	Luminous Flux	Luminaire Efficiency	Luminous Flux
20	18	UNI-618	135 lm/W	2700 lm	125 lm/W	2500 lm
30	18			4050 lm		3750 lm
40	18			5400 lm		5000 lm
50	24			6750 lm		6250 lm
60	24			8100 lm		7500 lm
70	36			9450 lm		8750 lm
80	36			10800 lm		10000 lm

The luminaire efficacies are the typical values, ±7% tolerance is reserved.

Dimensions



Parameters

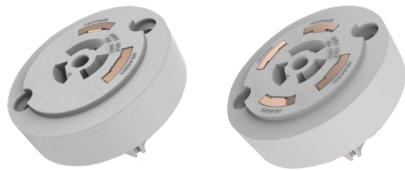
Product Model	UNI-YA05-1						
Input Voltage	AC100-277V 50/60Hz						
Rated Power	20W	30W	40W	50W	60W	70W	80W
Luminous Efficacy	125-135lm/W						
Luminous Flux (lm)	2500-2700	3750-4050	5000-5400	6250-6750	7500-8100	8750-9450	10000-18000
CCT	3000K/4000K/5000K/5700K/6500K						
CRI	70						
IP / IK	IP66 / IK08						
Product Dimension (mm)	420×420×750						
Packing Dimension (mm)	585×505×484						
Net Weight(kg)	7.4±0.2						
Gross Weight (kg)	10.7±0.2						

Note: The tolerance of Luminous Flux is ±7%



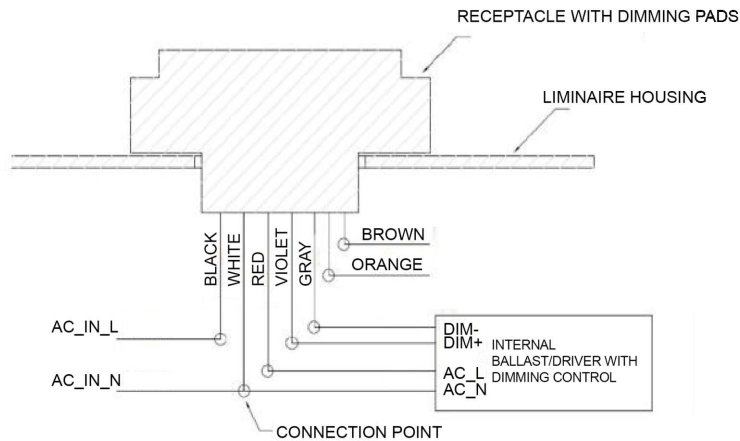
Features

- Zigbee communication, auto-Mesh
- With standard NEMA 5 lines interface for easy installation
- Remote switch on/off, maximum internal 16A relay outputs
- With dimming interface: 0-10V (PWM could be customized)
- With current, voltage, power, power factor, electric energy remote reading functions
- With LED lamp failure detection function
- With initiative fault information reporting functions
- Lightning protection function
- IP65



NEMA Socket 5PIN 7PIN

Optical control can be connected to 3/5/7PIN interface.



Dimming mode	Output parameters	Explanation	Communication mode	Route pattern	Communication distance	Frequency	Frequency range	Communication rate
Analog voltage	0-10V/10mA	Preset 100% dimming for 10V, or 0V output	Zigbee	MESH	200M (visual range)	2.4GHz	2.4GHz~2.485GHz	250Kbps

Built on the global telecom standard (NB-IoT/ LTE CAT-M1/ EGPRS) that securely connects billions of devices today, OpenSky streetlight controller (OLC) offers long range, deep coverage, high availability, high security and managed LPWA network.

OpenSky Zhaga help cities to easily upgrade their regular streetlights to intelligent streetlights – in turn, creating an ideal foundation for a Smart City. IoT communication enables the streetlights to connect directly to the local cell phone tower, thereby significantly improving the security and reliability, as well as eliminating the need for a local gateway.

When combined with a smart LED driver, OpenSky Zhaga delivers advanced system health analytics, power metering and asset management support. A standardised Zhaga (book 18) interface ensures universal luminaire compatibility and a quick installation. In-built GPS is ideal for large-scale citywide deployment wherein high installation speed is preferred.

Luminaires with OpenSky controllers can be remotely monitored, managed and controlled using VIMALUX CityManager or a third-party open API compliant CMS.



Features

- LTE Cat M1/ Cat NB1/ EGPRS communication
- Smart Driver ready
- IP66 + UV stabilized
- Ambient light sensor / Photocell
- Universal luminaire compatibility via standard Zhaga book 18 interface
- Remote switch on/ off/ dimming
- Lighting control via DALI / SR/ DALI 2.0/ D4i
- External motion sensor input: light-on-demand
- Adaptive, autonomous, astro-clock and calendar-based dimming
- Remote management & control via CityManager and third-party software (Open API)
- In-built GPS
- No Gateway needed

Benefits

- Up to 60% energy savings
- Up to 50% maintenance cost reduction
- Substantial reduction in light pollution and CO2 emissions
- Wireless platform for Smart City

