

VIMALUX

A brighter vision

TOGETHER, FOR A BRIGHTER FUTURE

STREET LIGHT
SERIES

MANTA



VIMALUX

A brighter vision



MANTA SERIES

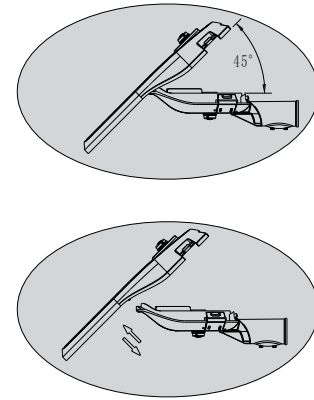
Smart-Ready, Future-Proof, Tool-free Maintenance, Circular Economy Initiative

Manta is a highly efficient LED street light, dark sky friendly and developed with enhanced innovative detachable solution for easy maintenance. With 4 product sizes ranging from 20-240W, Manta meet the needs for various applications, such as highway, urban road & street, residential street and even in harsh environments.

FEATURES & BENEFITS

- Micro, Mini and Midi and Maxi sizes offering 20W to 240W
- Maintenance made easy with tool-free replacement of optical compartment and electrical module
- Highly efficient with 160lm/W luminous efficacy
- Smart-ready with NEMA and Zhaga interface alternatives
- Pleasing and proven product design for a better city image
- Compatible with both post top and side entry installations
- -20°to +15°tilt steps for easy and quick on-site optical compartment adjustment
- Mounting interface Φ 42mm, Φ 60mm and Φ 76mm optional
- Bubble level for easier installation

Details



Tool-free Replacement of Optical Compartment



Precise optics and highly efficient LED



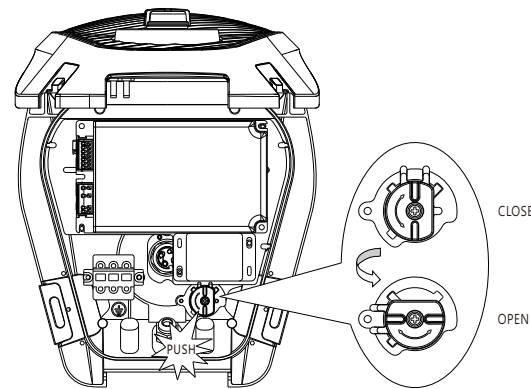
Bubble Level



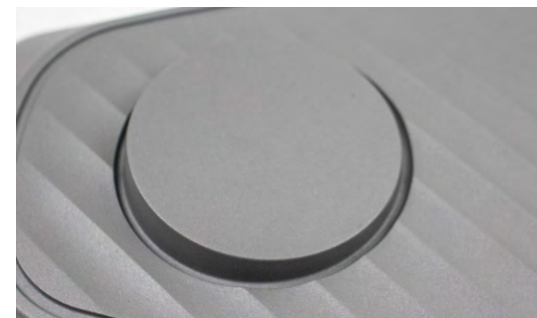
Tilt Steps



Tool-free Buckle



Tool-free Replacement of Electrical Module



Smart-ready NEMA or Zhaga Receptacle

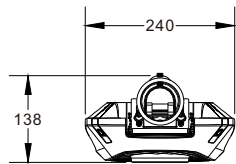
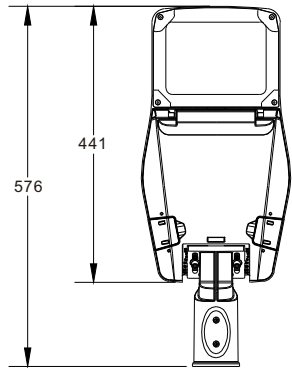
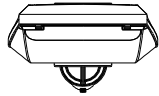


Breathing Valve

Micro



UNI-STC3-1(20-60W)



Basic

LED: Osram / Lumileds
 Driver: Osram, Philips, Inventronics, Moso
 Insulation Class: Class I / Class II (optional)
 Protection Grade: IP66 / IK08
 Nominal CCT: 2200K/2700K/3000K/4000K/5000K/5700K
 Pole Diameter: Ø42mm, Ø60mm, Ø76mm (optional)

Environment

Operating Temperature: -40°C~ 50°C
 Operating Humidity: 10% ~ 90%RH
 Storage Temperature: -40°C~ 65°C

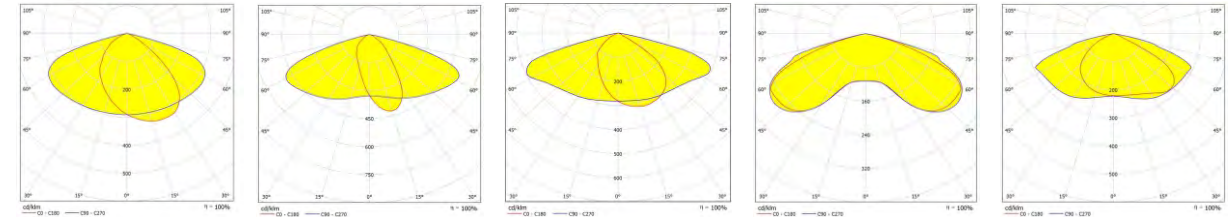
Electronics

Input Voltage: AC 220-240V / 100-277V
 Frequency: 50 / 60Hz
 Power Factor: 0.90
 Surge Protection: 10KV / 20KV
 Control Options: Photocontrol (NEMA)
 / Timer Control / 0~10V Dimming
 / DALI Control / NEMA 3 / 5 / 7-pin
 / Zhaga / Solar Compatible (optional)

Structure

Max Projected Area: 0.11m²
 Housing Material: Die-casting aluminum +tempered glass
 Luminaire Dimension: 576×240×138mm
 Packing Dimension: 525×345×215mm
 Net Weight: 4.0±0.5Kg
 Gross Weight: 5.0±0.5Kg

Main Parameters



UNI-540 3030 UNI-691 3030 UNI-618 5050 UNI-685 5050 UNI-712 5050

3030 Light Source

Power (W)	LED QTY (pcs)	Light Distribution	4000K Ra70@Ta=25°C		3000K Ra70@Ta=25°C	
			Luminaire Efficiency	Luminous Flux	Luminaire Efficiency	Luminous Flux
20	32	UNI-540	130 lm/W	2600 lm	120 lm/W	2400 lm
30	32	UNI-540	130 lm/W	3900 lm	120 lm/W	3600 lm
40	48	UNI-540	130 lm/W	5200 lm	120 lm/W	4800 lm
50	48	UNI-540	130 lm/W	6500 lm	120 lm/W	6000 lm
60	64	UNI-540	130 lm/W	7800 lm	120 lm/W	7200 lm

5050 Light Source

Power (W)	LED QTY (pcs)	Light Distribution	4000K Ra70@Ta=25°C		3000K Ra70@Ta=25°C	
			Luminaire Efficiency	Luminous Flux	Luminaire Efficiency	Luminous Flux
20	18	UNI-618	150 lm/W	3000 lm	140 lm/W	2800 lm
30	24	UNI-618	150 lm/W	4500 lm	140 lm/W	4200 lm
40	24	UNI-618	150 lm/W	6000 lm	140 lm/W	5600 lm
50	30	UNI-618	150 lm/W	7500 lm	140 lm/W	7000 lm
60	30	UNI-618	150 lm/W	9000 lm	140 lm/W	8400 lm

Power (W)	LED QTY (pcs)	Light Distribution	4000K Ra70@Ta=25°C		3000K Ra70@Ta=25°C	
			Luminaire Efficiency	Luminous Flux	Luminaire Efficiency	Luminous Flux
20	24	UNI-618	160 lm/W	3200 lm	150 lm/W	3000 lm
30	36	UNI-618	160 lm/W	4800 lm	150 lm/W	4500 lm

The luminaire efficacies are the typical values, ±7% tolerance is reserved.

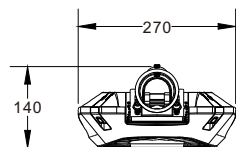
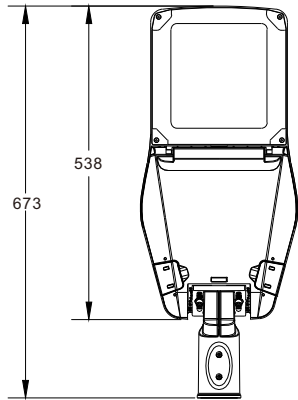
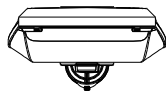
Mini



UNI-STC3-2(40-60W)



UNI-STC3-3(90W)



Basic

LED: Osram / Lumileds
 Driver: Osram, Philips, Inventronics, Moso
 Insulation Class: Class I / Class II (optional)
 Protection Grade: IP66 / IK08
 Nominal CCT: 2200K/2700K/3000K/4000K/5000K/5700K
 Pole Diameter: Ø42mm, Ø60mm, Ø76mm (optional)

Environment

Operating Temperature: -40°C~ 50°C
 Operating Humidity: 10% ~ 90%RH
 Storage Temperature: -40°C~ 65°C

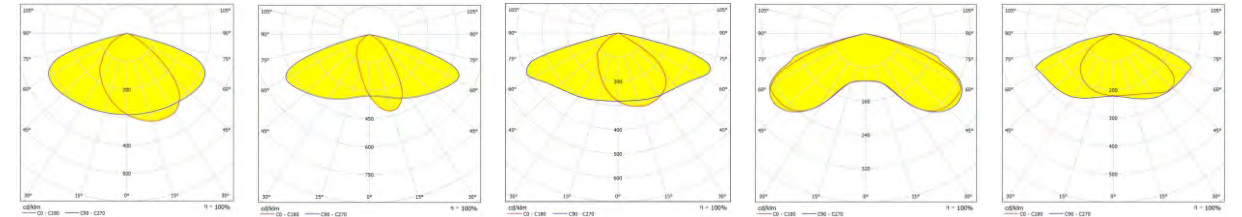
Electronics

Input Voltage: AC 220-240V / 100-277V
 Frequency: 50 / 60Hz
 Power Factor: 0.90 / 0.95
 Surge Protection: 10KV / 20KV
 Control Options: Photocontrol (NEMA)
 / Timer Control / 0~10V Dimming
 / DALI Control / NEMA 3 / 5 / 7-pin
 / Zhaga / Solar Compatible (optional)

Structure

Max Projected Area: 0.14m²
 Housing Material: Die-casting aluminum +tempered glass
 Luminaire Dimension: 673×270×140mm
 Packing Dimension: 655×345×215mm
 Net Weight: 5.0 / 5.5±0.5Kg
 Gross Weight: 6.5 / 7.0±0.5Kg

Main Parameters



UNI-540 3030 UNI-691 3030 UNI-618 5050 UNI-685 5050 UNI-712 5050

3030 Light Source

Power (W)	LED QTY (pcs)	Light Distribution	4000K Ra70@Ta=25°C		3000K Ra70@Ta=25°C	
			Luminaire Efficiency	Luminous Flux	Luminaire Efficiency	Luminous Flux
60	64	UNI-540	130 lm/W	7800 lm	120 lm/W	7200 lm
90	96	UNI-540	130 lm/W	11700 lm	120 lm/W	10800 lm

5050 Light Source

Power (W)	LED QTY (pcs)	Light Distribution	4000K Ra70@Ta=25°C		3000K Ra70@Ta=25°C	
			Luminaire Efficiency	Luminous Flux	Luminaire Efficiency	Luminous Flux
70	54	UNI-618	160 lm/W	11200 lm	150 lm/W	10500 lm
80	54	UNI-618	160 lm/W	12800 lm	150 lm/W	12000 lm

Power (W)	LED QTY (pcs)	Light Distribution	4000K Ra70@Ta=25°C		3000K Ra70@Ta=25°C	
			Luminaire Efficiency	Luminous Flux	Luminaire Efficiency	Luminous Flux
40	46	UNI-618	160 lm/W	6400 lm	150 lm/W	6000 lm
50	54	UNI-618	160 lm/W	8000 lm	150 lm/W	7500 lm
60	54	UNI-618	160 lm/W	9600 lm	150 lm/W	9000 lm
90	60	UNI-618	160 lm/W	14400 lm	150 lm/W	13500 lm

The luminaire efficacies are the typical values, ±7% tolerance is reserved.

Midi



UNI-STC3-4(120-150W)

Basic

LED: Osram / Lumileds
 Driver: Osram, Philips, Inventronics, Moso
 Insulation Class: Class I / Class II (optional)
 Protection Grade: IP66 / IK08
 Nominal CCT: 2200K/2700K/3000K/4000K/5000K/5700K
 Pole Diameter: Ø42mm, Ø60mm, Ø76mm (optional)

Environment

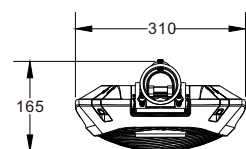
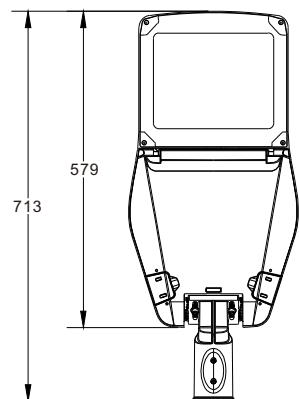
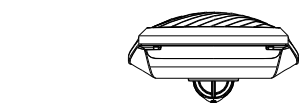
Operating Temperature: -40°C~ 50°C
 Operating Humidity: 10% ~ 90%RH
 Storage Temperature: -40°C~ 65°C

Electronics

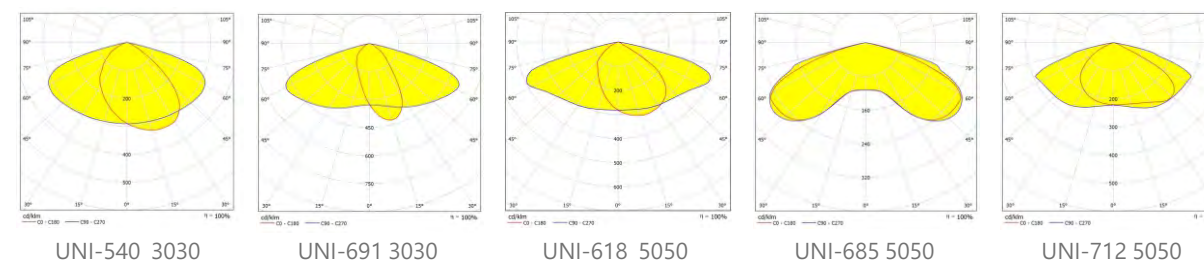
Input Voltage: AC 220-240V / 100-277V
 Frequency: 50 / 60Hz
 Power Factor: 0.95
 Surge Protection: 10KV / 20KV
 Control Options: Photocontrol (NEMA)
 / Timer Control / 0~10V Dimming
 / DALI Control / NEMA 3 / 5 / 7-pin
 / Zhaga / Solar Compatible (optional)

Structure

Max Projected Area: 0.17m²
 Housing Material: Die-casting aluminum +tempered glass
 Luminaire Dimension: 713×310×165mm
 Packing Dimension: 695×385×215mm
 Net Weight: 7.0±0.5Kg
 Gross Weight: 9.0±0.5Kg



Main Parameters



3030 Light Source

Power (W)	LED QTY (pcs)	Light Distribution	4000K Ra70@Ta=25°C		3000K Ra70@Ta=25°C	
			Luminaire Efficiency	Luminous Flux	Luminaire Efficiency	Luminous Flux
120	120	UNI-540	130 lm/W	15600 lm	120 lm/W	14400 lm
150	160	UNI-540	130 lm/W	19500 lm	120 lm/W	18000 lm

5050 Light Source

Power (W)	LED QTY (pcs)	Light Distribution	4000K Ra70@Ta=25°C		3000K Ra70@Ta=25°C	
			Luminaire Efficiency	Luminous Flux	Luminaire Efficiency	Luminous Flux
120	54	UNI-618	150 lm/W	18000 lm	140 lm/W	16800 lm
150	64	UNI-618	150 lm/W	22500 lm	140 lm/W	21000 lm

Power (W)	LED QTY (pcs)	Light Distribution	4000K Ra70@Ta=25°C		3000K Ra70@Ta=25°C	
			Luminaire Efficiency	Luminous Flux	Luminaire Efficiency	Luminous Flux
120	72	UNI-618	160 lm/W	19200 lm	150 lm/W	18000 lm
150	90	UNI-618	160 lm/W	24000 lm	150 lm/W	22500 lm

Maxi



UNI-STC3-5(180-240W)

Basic

LED: Osram / Lumileds
 Driver: Osram, Philips, Inventronics, Moso
 Insulation Class: Class I / Class II (optional)
 Protection Grade: IP66 / IK08
 Nominal CCT: 2200K/2700K/3000K/4000K/5000K/5700K
 Pole Diameter: Ø42mm, Ø60mm, Ø76mm (optional)

Environment

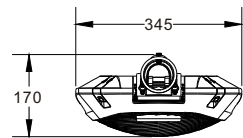
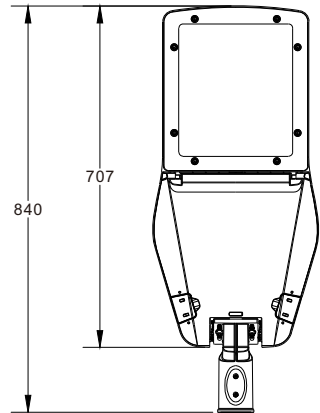
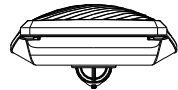
Operating Temperature: -40°C~ 50°C
 Operating Humidity: 10% ~ 90%RH
 Storage Temperature: -40°C~ 65°C

Electronics

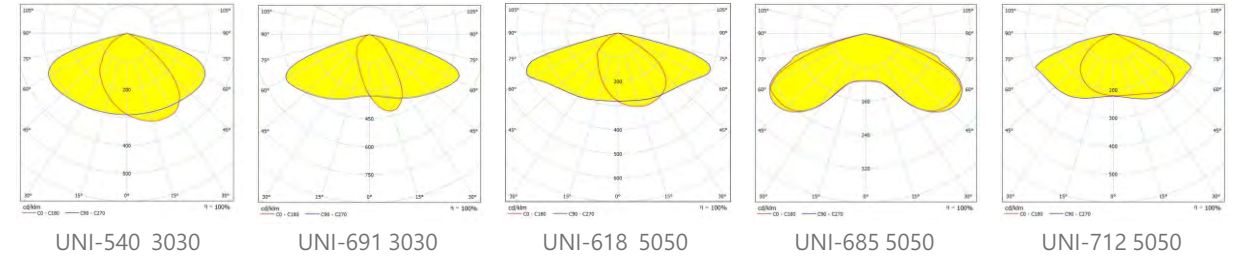
Input Voltage: AC 220-240V / 100-277V
 Frequency: 50 / 60Hz
 Power Factor: 0.95
 Surge Protection: 10KV / 20KV
 Control Options: Photocontrol (NEMA)
 / Timer Control / 0~10V Dimming
 / DALI Control / NEMA 3 / 5 / 7-pin
 / Zhaga(optional)

Structure

Max Projected Area: 0.22m²
 Housing Material: Die-casting aluminum +tempered glass
 Luminaire Dimension: 840×345×170mm
 Packing Dimension: 830×420×210mm
 Net Weight: 9.0 / 9.2±0.5Kg
 Gross Weight: 11.0 / 11.2±0.5Kg



Main Parameters



3030 Light Source

Power (W)	LED QTY (pcs)	Light Distribution	4000K Ra70@Ta=25°C		3000K Ra70@Ta=25°C	
			Luminaire Efficiency	Luminous Flux	Luminaire Efficiency	Luminous Flux
180	192	UNI-540	130 lm/W	23400 lm	120 lm/W	21600 lm
200	192	UNI-540	130 lm/W	26000 lm	120 lm/W	24000 lm
240	240	UNI-540	130 lm/W	31200 lm	120 lm/W	28800 lm

5050 Light Source

Power (W)	LED QTY (pcs)	Light Distribution	4000K Ra70@Ta=25°C		3000K Ra70@Ta=25°C	
			Luminaire Efficiency	Luminous Flux	Luminaire Efficiency	Luminous Flux
180	84	UNI-618	150 lm/W	27000 lm	140 lm/W	25200 lm
200	84	UNI-618	150 lm/W	30000 lm	140 lm/W	28000 lm
240	108	UNI-618	150 lm/W	36000 lm	140 lm/W	33600 lm

Power (W)	LED QTY (pcs)	Light Distribution	4000K Ra70@Ta=25°C		3000K Ra70@Ta=25°C	
			Luminaire Efficiency	Luminous Flux	Luminaire Efficiency	Luminous Flux
180	100	UNI-618	160 lm/W	28800 lm	150 lm/W	27000 lm
200	112	UNI-618	160 lm/W	32000 lm	150 lm/W	30000 lm
240	126	UNI-618	160 lm/W	38400 lm	150 lm/W	36000 lm

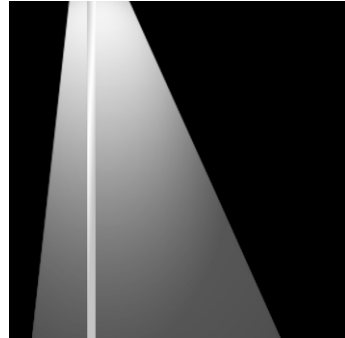
The luminaire efficacies are the typical values, ±7% tolerance is reserved.

Light Distributions

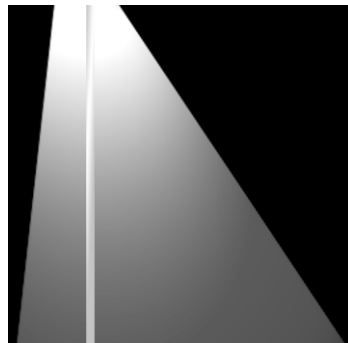
Wide choices of optical distributions for ultimate flexibility and precise lighting control



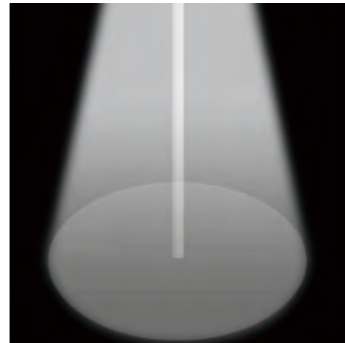
Type I
Typical applications:
Narrow roads and footpaths



Type II
Typical applications:
Narrow roads and footpaths



Type III
Typical applications:
Wide roads

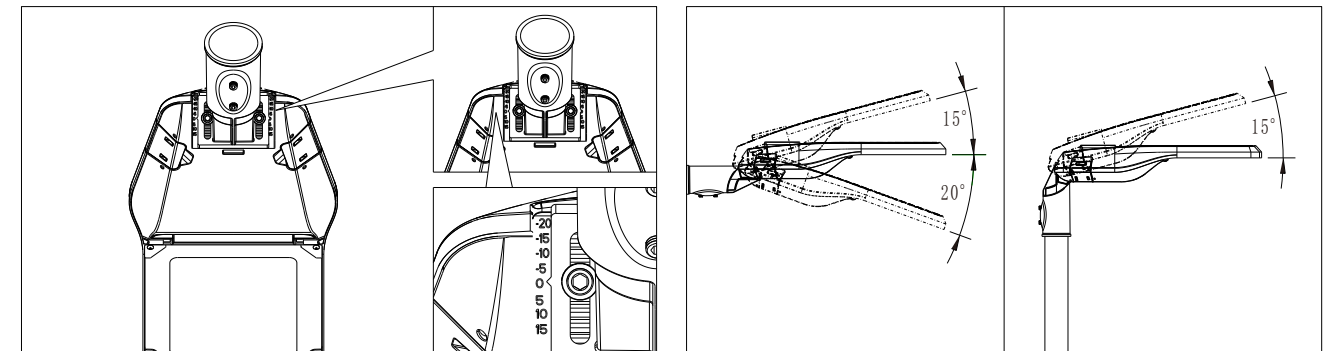


Type V
Typical applications:
Area lighting

Spigot



- Dual-purpose spigots for side entry and post top installation -20° to +15° maximum tilt steps in 5°
- Constructed from robust die-casting aluminum
- Stainless steel bolts
- 42 / 60 / 76 mm diameter options cater for existing or newly fabricated light poles



Controller



NEMA Control



ZHAGA Control

Features

- With PWM and 0-10V dimming interfaces
- Acquiring data like current, voltage, power and power factor
- Analyzing and reporting of power consumption and energy saving
- Monitoring and detecting the status of LED luminaire
- Automatic faulty reporting function
- With surge protection
- IP65 rated

Communication Interface	Communication Method	Communication Distance	Dimming Signal
NEMA	LoRa / ZigBee NB / 4G LTE	LoRa: 1000M ZigBee: 200M NB: ∞ 4G LTE: ∞	PWM & 0-10V
ZHAGA	NB / 4G LTE	NB: ∞ 4G LTE: ∞	DALI & 0-10V

