



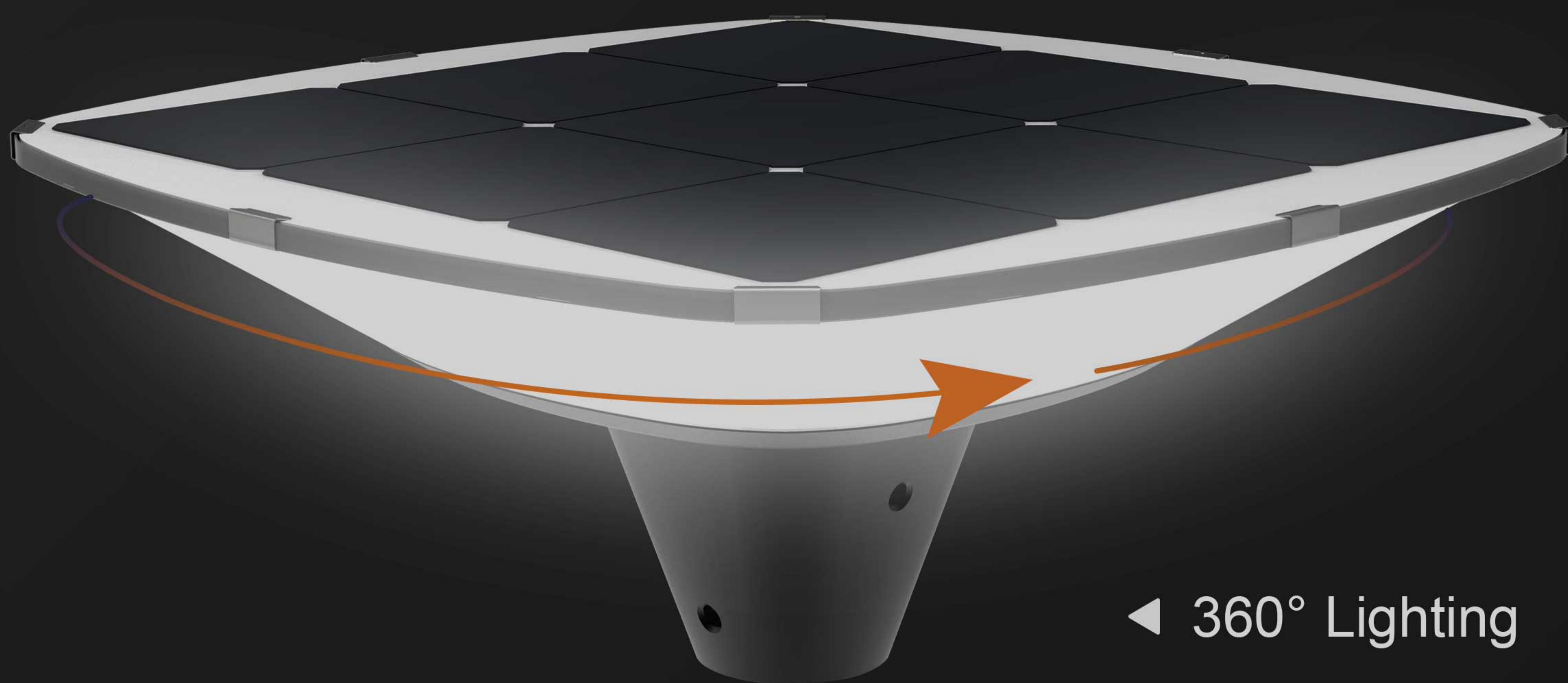
PALLAS QUAD



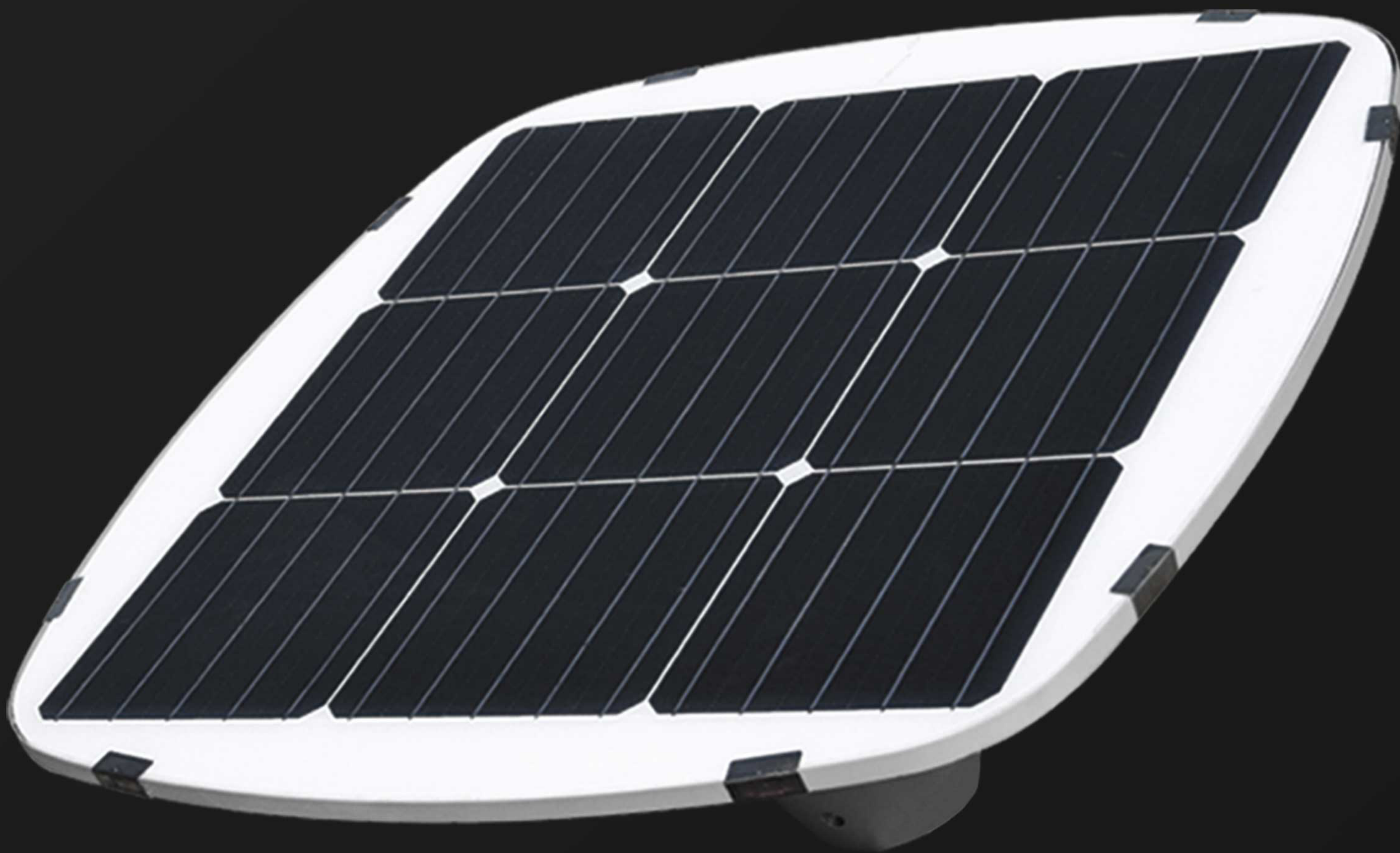
VIMALUX

A brighter vision





◀ 360° Lighting



- ◀ *Mono crystalline silicon solar panel*
- ◀ *5-10° Downward Slope*

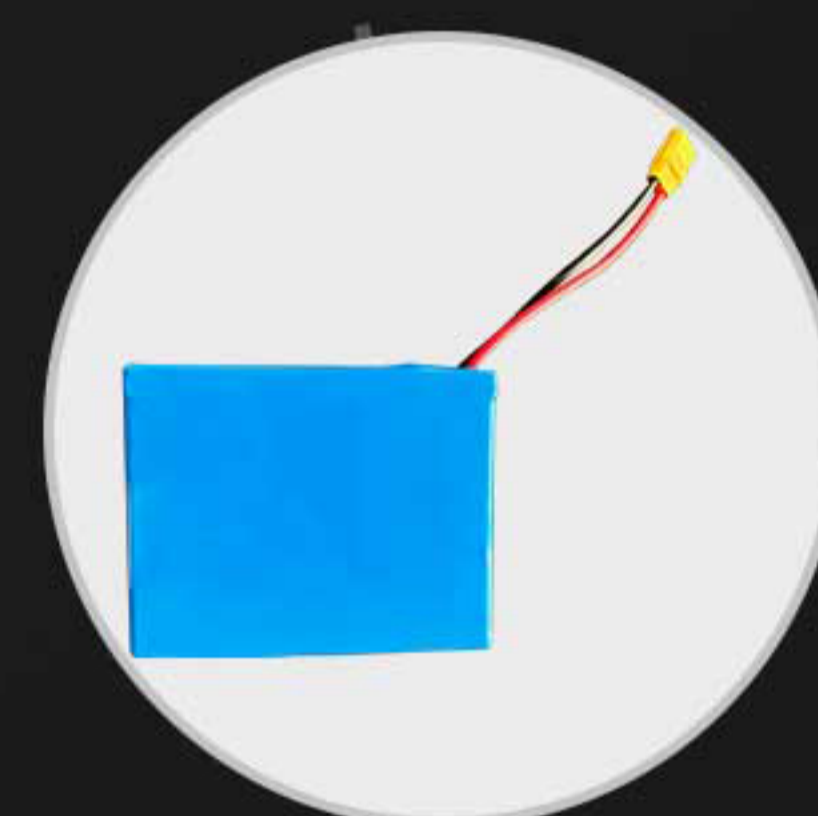
▼ 360° surround lighting



Monocrystalline Solar Panel
Efficiency Up to 24%



LED Lifespan > 100000Hrs



LiFePo4
Lifespan > 4000 Cycles



Remote Control



360° Lighting Angle



ALSO WE HAVE WHAT OTHERS DON'T



360° Lighting



Color of LEDs
can be customized



High efficiency solar panel
(24% efficiency)



No Wiring
Zero electricity bills



Die-cast aluminium base



Glare-free lampshade

Mode NO. Pallas Quad

Lighting

Light Output 4500LM Maximum
 LED Chip Bright 3030
 CCT 2700-6000K (can be customized)
 Life Span 100,000 hours to LM80 specifications
 Working Way Motion Sensor / Time Schedule

Solar Panel

Power of PV module 45W
 Life Span 80% power after 25 years

Storage

Battery Capacity 275WH (314WH Fully Charged)
 Lighting time in rainy day >10 days
 Life Span 4000 Cycles (>10 years)

Charging Controller

Life Span >12 years
 Working Mode MPPT
 Control Mode Intelligent, activated by sunlight

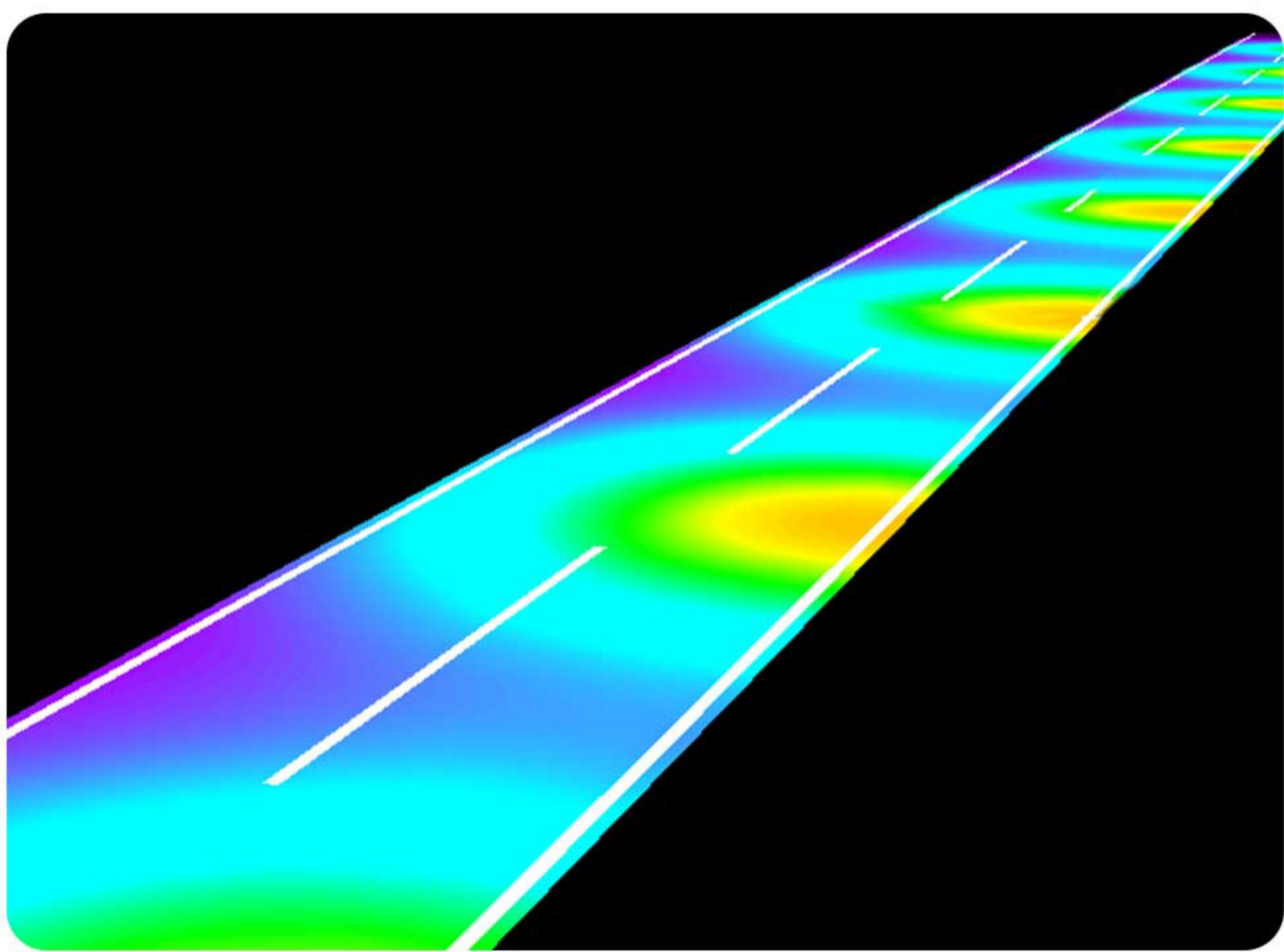
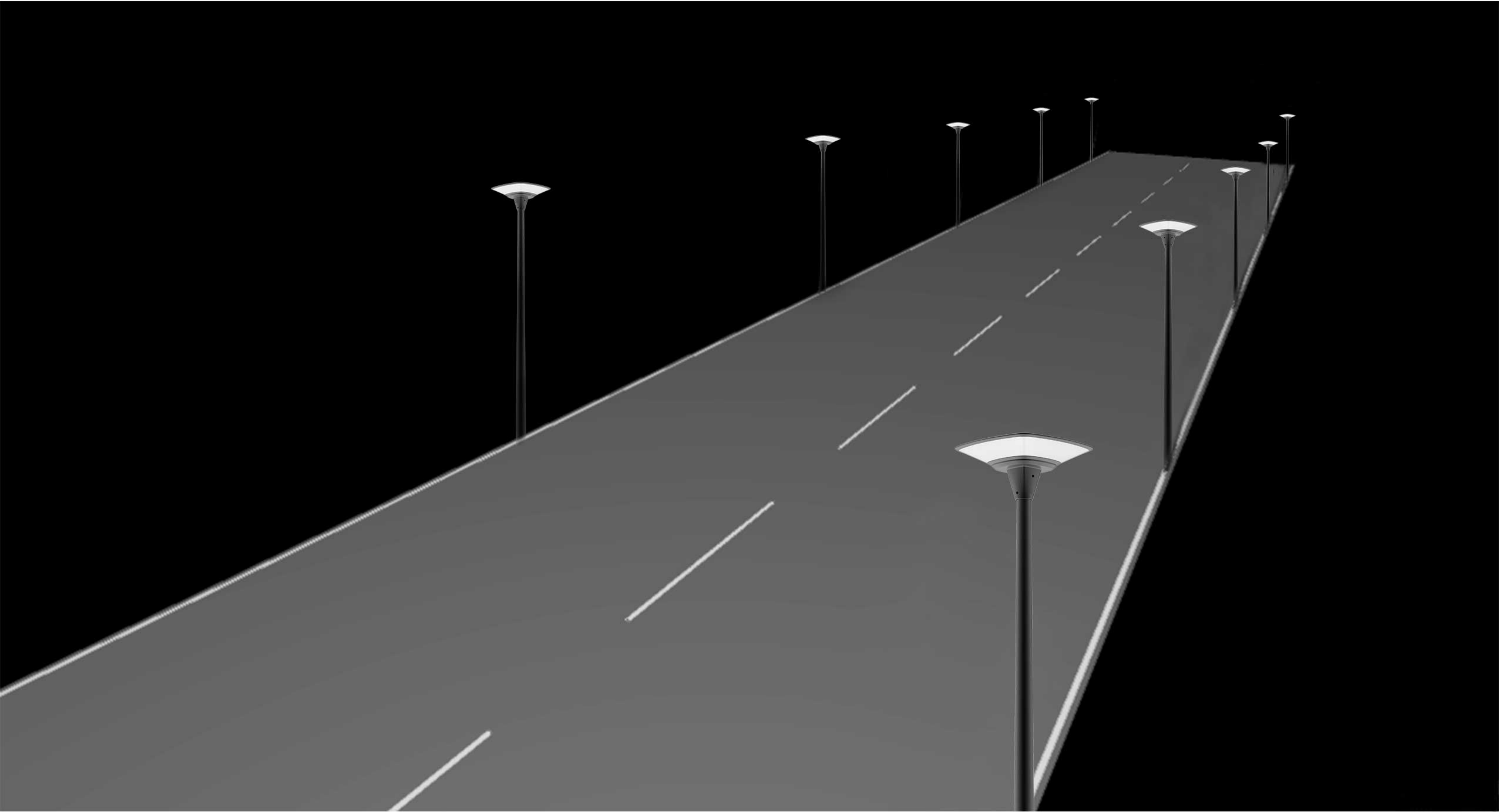
Environment

Working Temperature -15°C to +70°C
 Water Resistance IP65

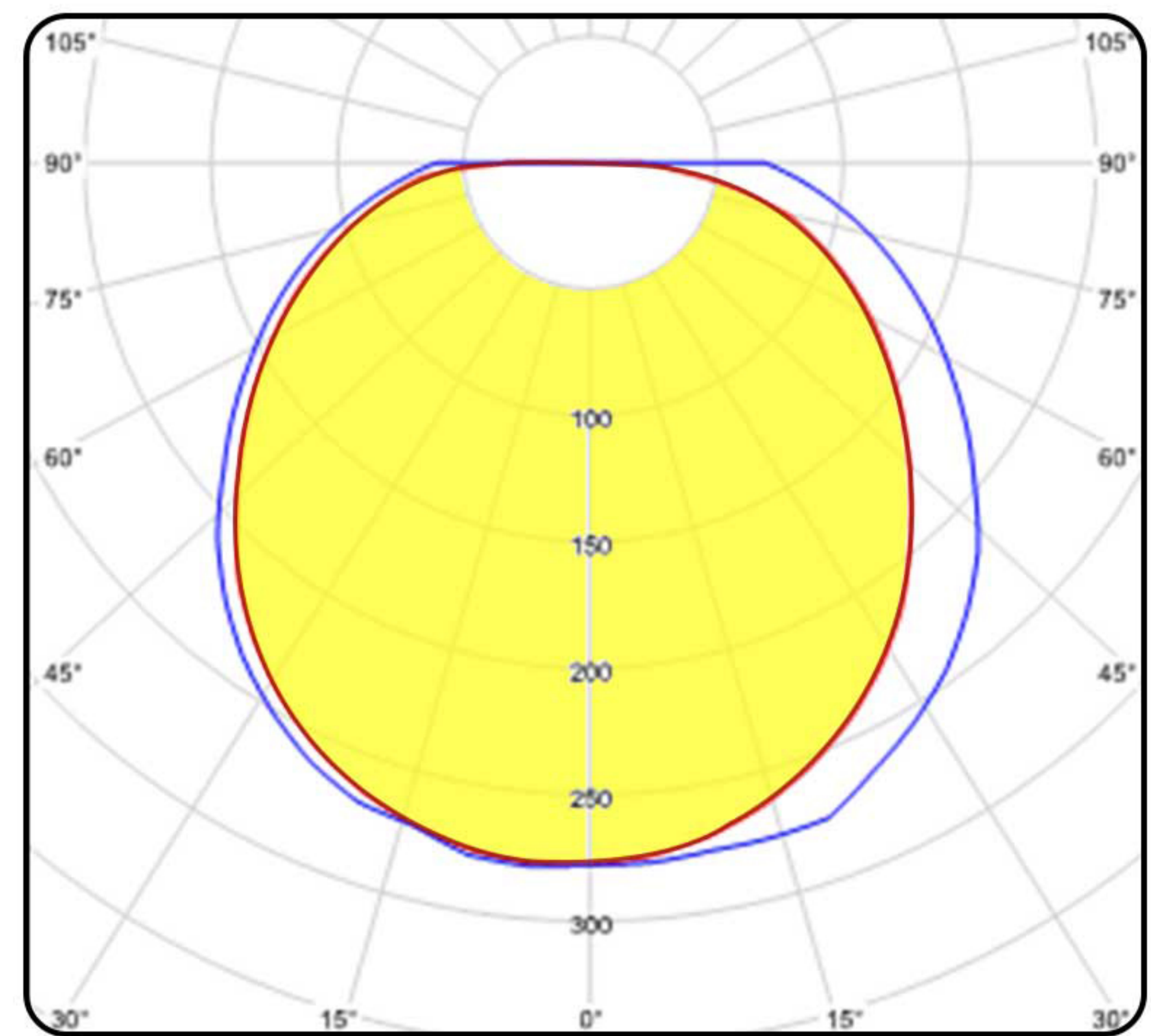
Solar Panel Autoclean —

Mechanical Specifications

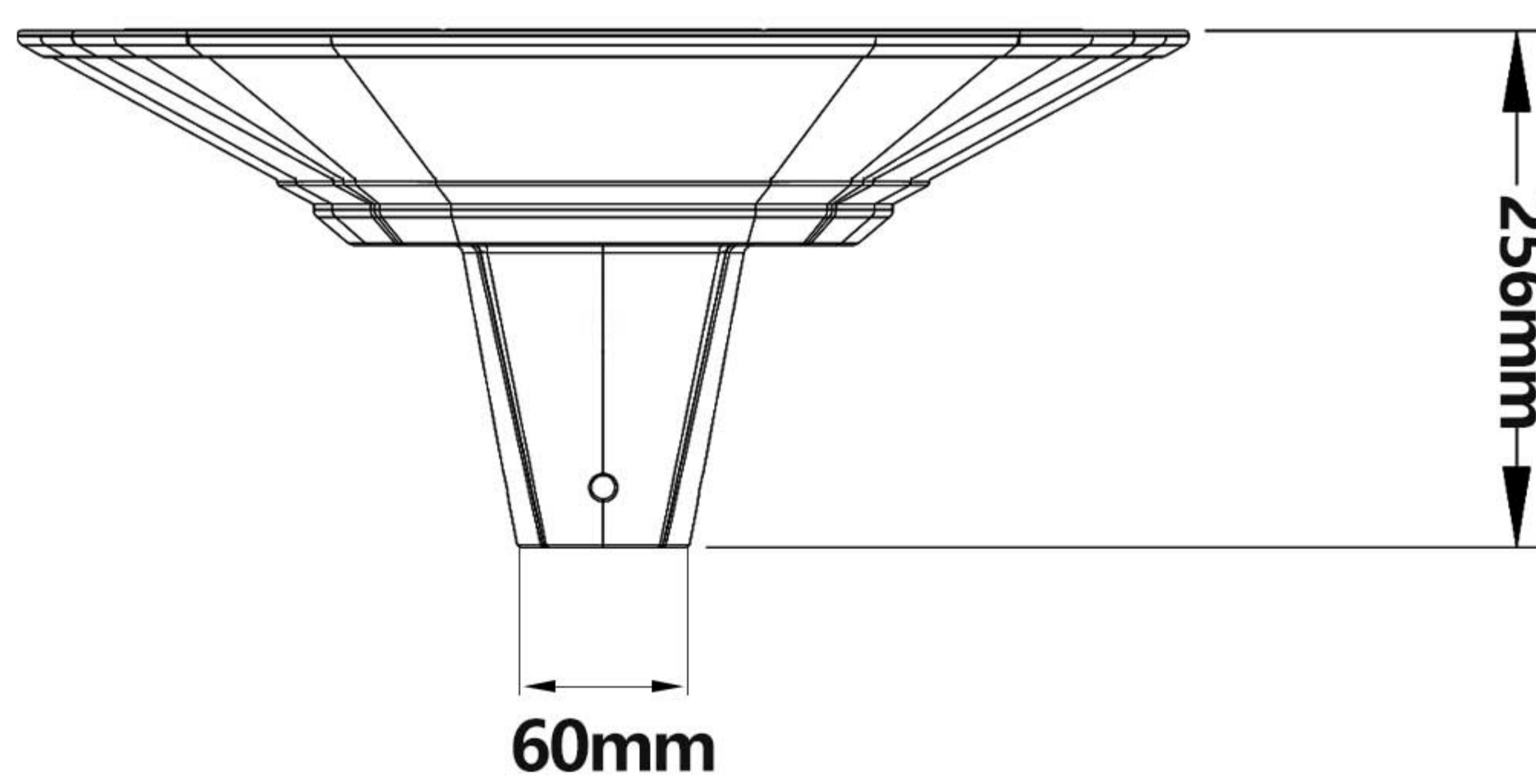
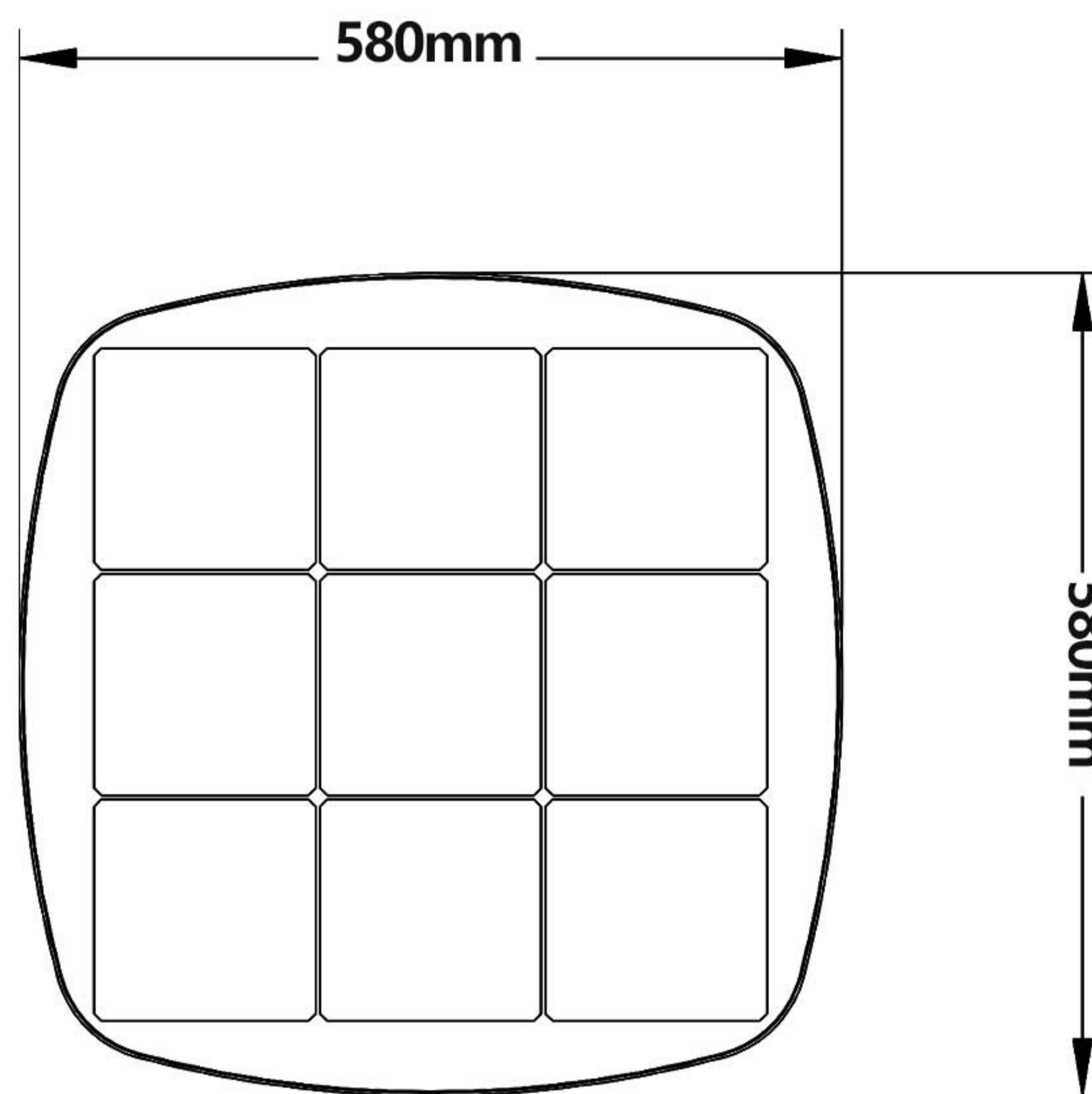
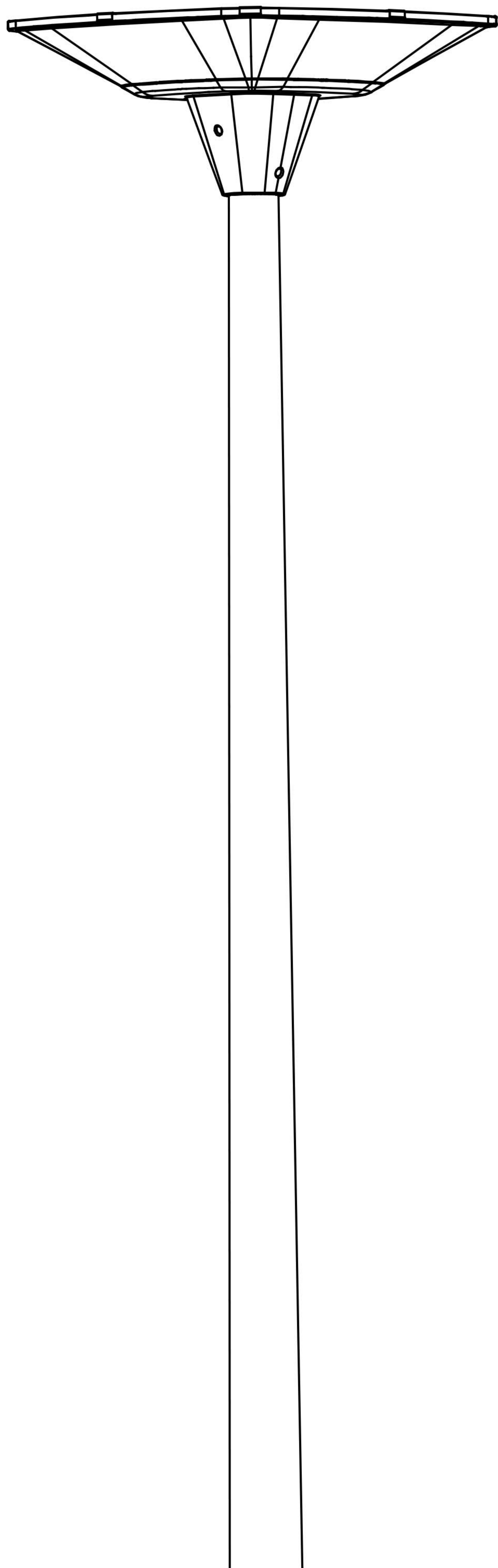
Recommended Top diameter of the Pole 60mm
 Recommended Pole Height <6m
 Net Weight (Kg) 12.5
 Package Dimension (mm) 660*660*300



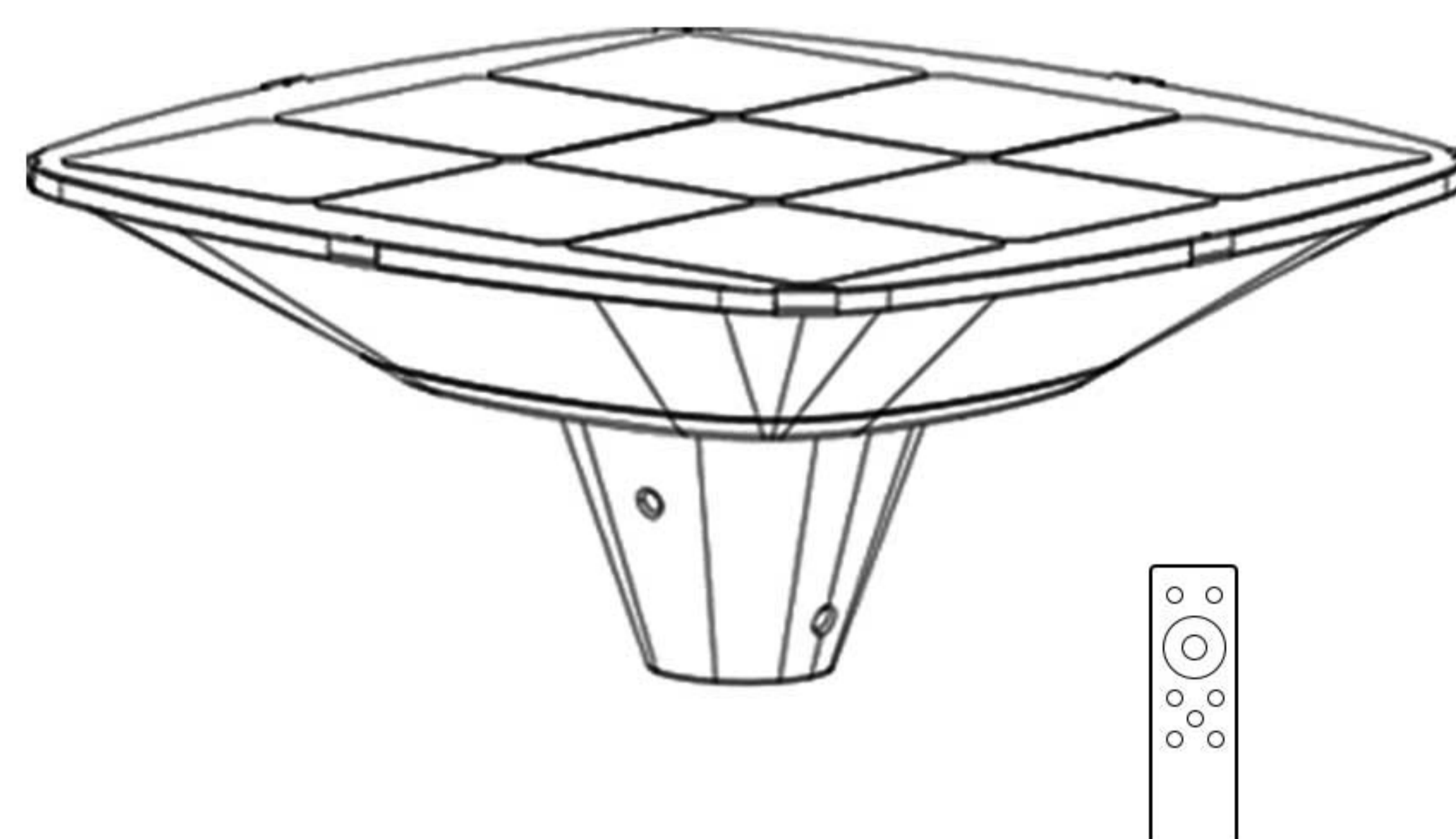
Road Simulated Diagram



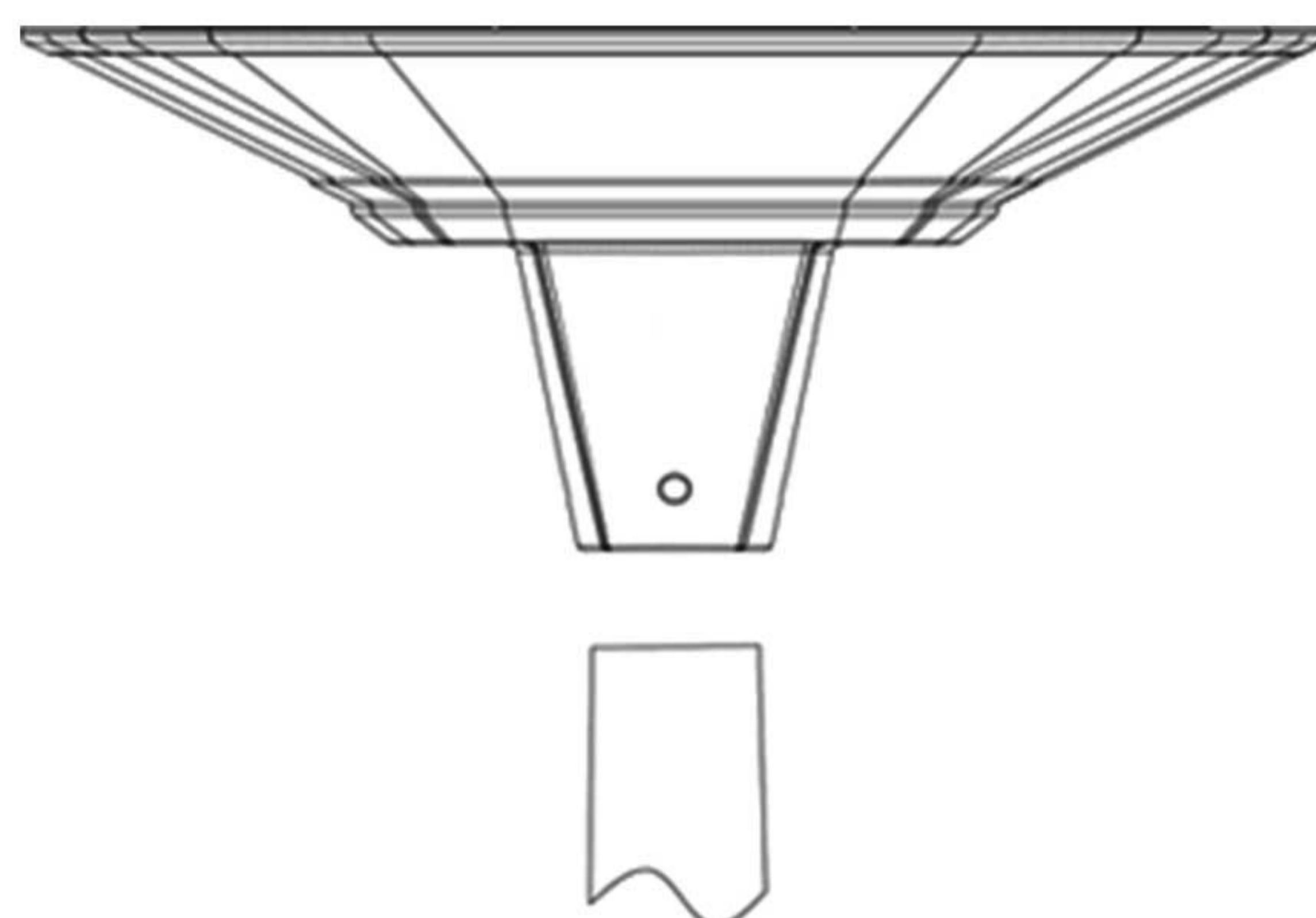
Light Distribution Curve



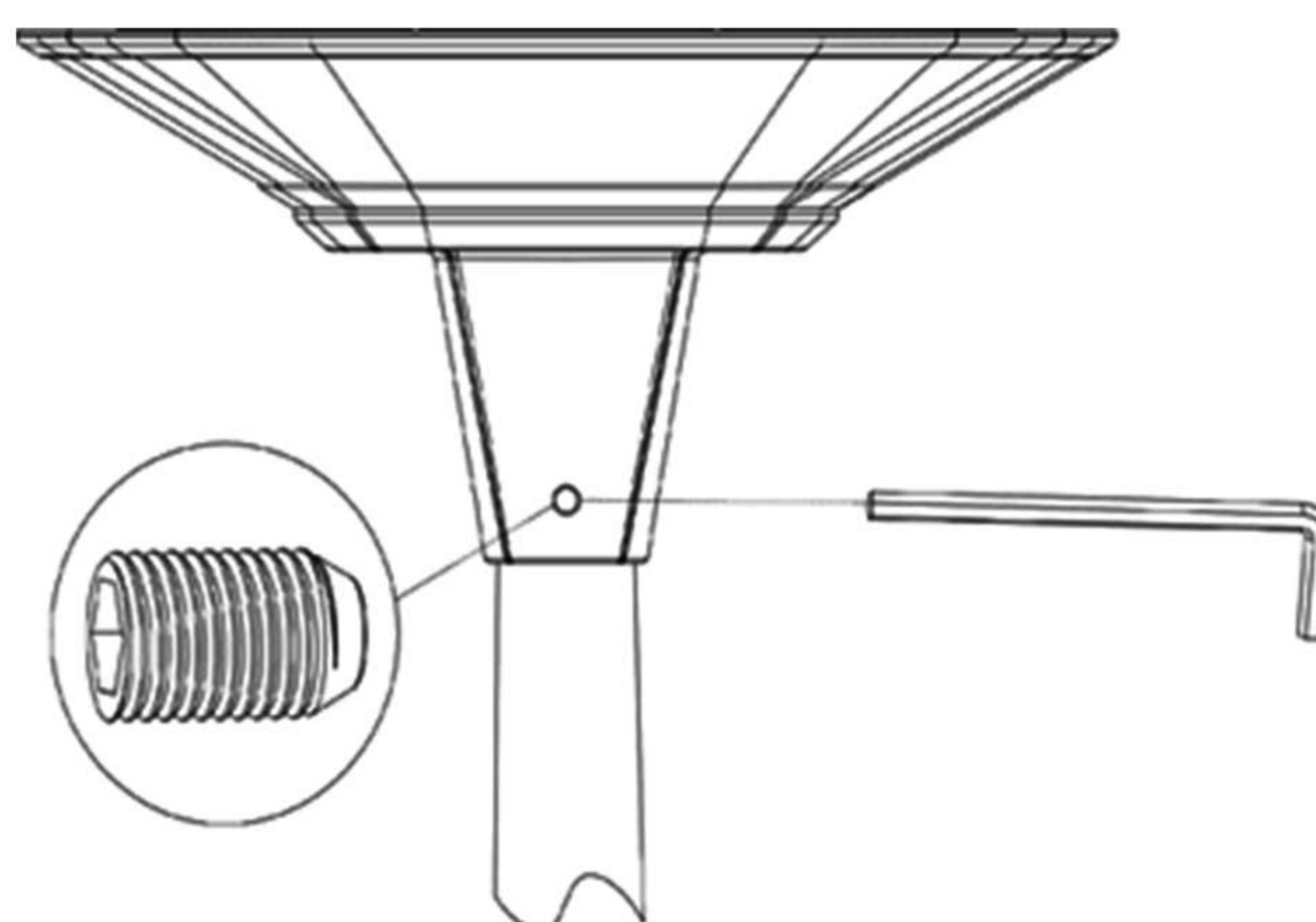
1. Cover the solar panel with non-transparent materials and wait 15 seconds to see if the light is on. Make the solar panel face the sun, and wait 30 seconds to check if the light is off, finish the installation after testing ok. Or you can test this product via the remote control



2. Mount the light on the light pole and tighten the screws.



3. Unlock the buckle, place solar panel as per below drawing, buckle up.



Step 1



Step 2



Step 3



Step 4



| Model NO. | QTY(PCS) | Carton Size(mm) | Net Weight |
|-------------|----------|-----------------|------------|
| PALLAS QUAD | 1 | 660*660*300 | 12.7kg |

PALLAS QUAD

LED SOLAR STREET LIGHT

