

STREET LIGHT  
SERIES

MANTA

VIMALUX

A brighter vision



# VIMALUX

A brighter vision



reddot winner 2020  
urban design

## **BELUGA**

- *Innovative Detachable Solution*
- *Aesthetically Streamlined Design*
- *Future-proof and Smart-ready*



# BELUGA SERIES

Detachable · Streamlined · Future-proof · Versatile

- Innovative detachable solution actualizes on-the-spot maintenance
- Pioneering vertical plugged hinge facilitates safer maintenance
- Side entry and post top optional with -20 to 15° tilt steps
- $\phi 42, 60, 76\text{mm}$  spigot adapter options
- Future-proof and smart-ready with NEMA and Zhaga based controls
- 5 product sizes ranging from 25 to 250W
- Compatible with solar lighting system

## Details



Balance Device



Adjustable Angle



Automatic Power-off Switch



Respirator



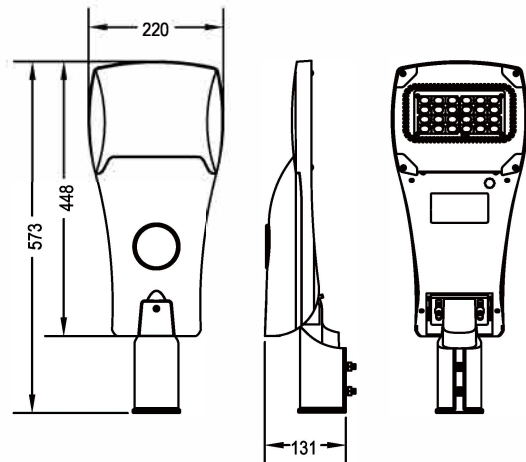
Compatible With NEMA Socket



Tool - free Buckle



VML-STB1-1-015 / 025 / 035 / 045



**Basic**

Light source brand: Osram / Lumileds  
 Power brand: Inventronics / MOSO / Osram  
 Insulation Class: Class I / Class II (optional)  
 Protection Grade: IP66 / UP TO IK09  
 Color Temperature: 3000 / 4000 / 5000±300K  
 5700 / 6500±500K  
 Pole Diameter: Ø60mm / Ø42mm / Ø76mm (optional)

**Environment**

Operating Temperature: -40°C~ 45°C  
 Operating Humidity: 10% ~ 90%RH  
 Storage Temperature: -40°C~ 55°C

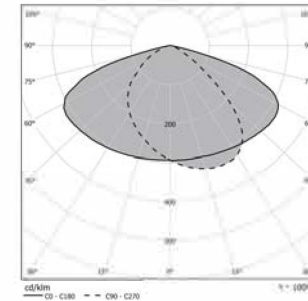
**Electronics**

Rated Input Voltage: 100~277V  
 Frequency: 50 / 60Hz  
 Power Factor: 0.95  
 Surge Protection: 10KV / 20KV  
 Control system: Photocontrol (NEMA)  
 Timing Control / 0~10V Dimming  
 / DALI Control / Solar Compatible (optional)

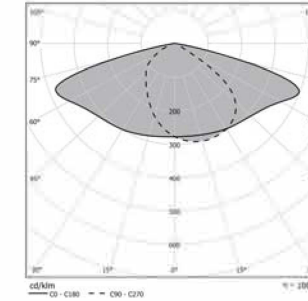
**Structure**

Max Projected Area: 0.10m<sup>2</sup>  
 Housing Material: Die Casting Aluminum  
 Luminaire Dimension: 573×220×131mm  
 Packing Dimension: 502×275×200mm  
 Net Weight: 3.6±0.2Kg  
 Gross Weight: 4.6±0.2Kg

**Model Options**



VML-540



VML-618

**3030 Light source**

Power (W)	LED QTY (pcs)	Light Distribution	4000K Ra70@Tq=25°C		3000K Ra70@Tq=25°C	
			Luminaire Efficiency	Luminous Flux	Luminaire Efficiency	Luminous Flux
15	16	VML-540	125 lm/w	1875	117 lm/w	1750
25	32	VML-540	125 lm/w	3125	117 lm/w	2917
35	40	VML-540	125 lm/w	4375	117 lm/w	4083
45	48	VML-540	125 lm/w	5625	117 lm/w	5250

**5050 Light source**

Power (W)	LED QTY (pcs)	Light Distribution	4000K Ra70@Tq=25°C		3000K Ra70@Tq=25°C	
			Luminaire Efficiency	Luminous Flux	Luminaire Efficiency	Luminous Flux
15	12	VML-618	140 lm/w	2100	130 lm/w	1950
25	18	VML-618	140 lm/w	3500	130 lm/w	3250
35	24	VML-618	140 lm/w	4900	130 lm/w	4550
45	24	VML-618	140 lm/w	6300	130 lm/w	5850

Power (W)	LED QTY (pcs)	Light Distribution	4000K Ra70@Tq=25°C		3000K Ra70@Tq=25°C	
			Luminaire Efficiency	Luminous Flux	Luminaire Efficiency	Luminous Flux
15	12	VML-618	150 lm/w	2250	140 lm/w	2100
25	18	VML-618	150 lm/w	3750	140 lm/w	3500
35	24	VML-618	150 lm/w	5250	140 lm/w	4900
45	24	VML-618	150 lm/w	6750	140 lm/w	6300

The luminaire efficacies are the typical values, ±7% tolerance is reserved.



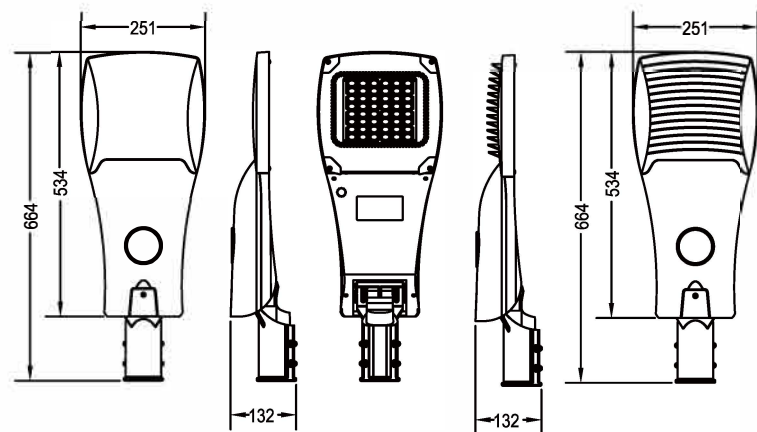
## MINI



VML-STB1-2-060



VML-STB1-3-090



### Basic

Light source brand: Osram / Lumileds  
 Power brand: Inventronics / MOSO / Osram  
 Insulation Class: Class I / Class II (optional)  
 Protection Grade: IP66 / UP TO IK09  
 Color Temperature: 3000 / 4000 / 5000±300K  
 5700 / 6500±500K  
 Pole Diameter: Ø60mm / Ø42mm / Ø76mm (optional)

### Environment

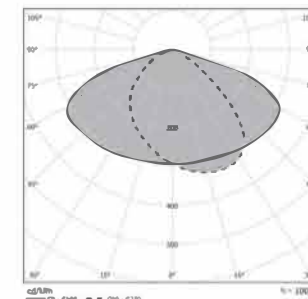
Operating Temperature: -40°C~ 45°C  
 Operating Humidity: 10% ~ 90% RH  
 Storage Temperature: -40°C~ 55°C

### Electronics

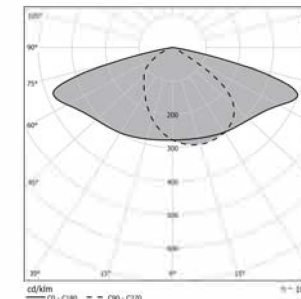
Rated Input Voltage: 100~277V  
 Frequency: 50 / 60Hz  
 Power Factor: 0.95  
 Surge Protection: 10KV / 20KV  
 Control system: Photocontrol (NEMA)  
 Timming Control / 0~10V Dimming  
 / DALI Control / Solar Compatible (optional)

### Structure

Max Projected Area: 0.15m<sup>2</sup>  
 Housing Material: Die Casting Aluminum  
 Luminaire Dimension: 664×251×132 mm  
 Packing Dimension: 585×305×205 mm  
 Net Weight: 4.7±0.2 Kg / 5.8±0.2 Kg  
 Gross Weight: 5.0±0.2 Kg / 6.1±0.2 Kg



VML-540



VML-618

### Model Options

### 3030 Light source

Power (W)	LED QTY (pcs)	Light Distribution	4000K Ra70@Tq=25°C		3000K Ra70@Tq=25°C	
			Luminaire Efficiency	Luminous Flux	Luminaire Efficiency	Luminous Flux
60	64	VML540	125 lm/w	7500	117 lm/w	7000
90	96	VML-540	125 lm/w	11250	117 lm/w	10500

### 5050 Light source

Power (W)	LED QTY (pcs)	Light Distribution	4000K Ra70@Tq=25°C		3000K Ra70@Tq=25°C	
			Luminaire Efficiency	Luminous Flux	Luminaire Efficiency	Luminous Flux
60	24	VML-618	140 lm/w	8400	130 lm/w	7800
90	30	VML-618	140 lm/w	12600	130 lm/w	11700

Power (W)	LED QTY (pcs)	Light Distribution	4000K Ra70@Tq=25°C		3000K Ra70@Tq=25°C	
			Luminaire Efficiency	Luminous Flux	Luminaire Efficiency	Luminous Flux
60	30	VML-618	150 lm/w	9000	140 lm/w	8400
90	42	VML-618	150 lm/w	13500	140 lm/w	12600

The luminaire efficacies are the typical values, ±7% tolerance is reserved.

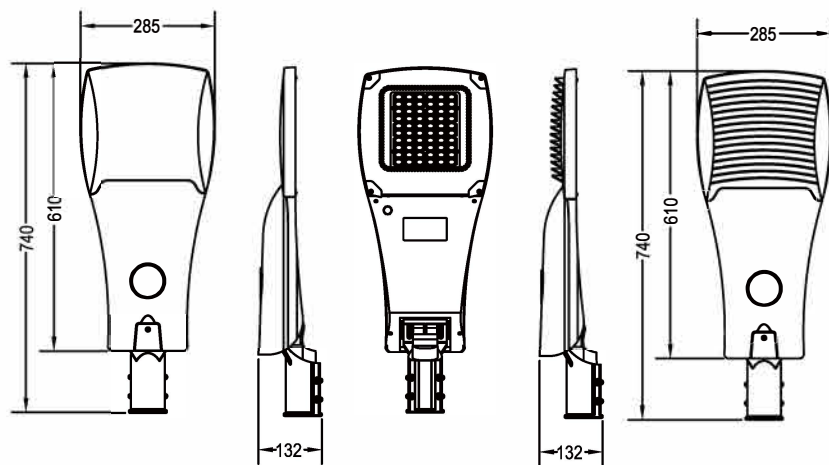
## MIDI



VML-STB1-4-090



VML-STB1-5-120



### Basic

Light source brand: Osram / Lumileds  
 Power brand: Inventronics / MOSO / Osram  
 Insulation Class: Class I / Class II (optional)  
 Protection Grade: IP66 / UP TO IK09  
 Color Temperature: 3000 / 4000 / 5000±300K  
 5700 / 6500±500K  
 Pole Diameter: Ø60mm / Ø42mm / Ø76mm (optional)

### Environment

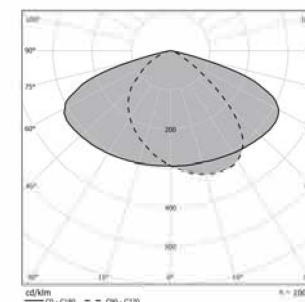
Operating Temperature: -40°C~ 45°C  
 Operating Humidity: 10% ~ 90% RH  
 Storage Temperature: -40°C~ 55°C

### Electronics

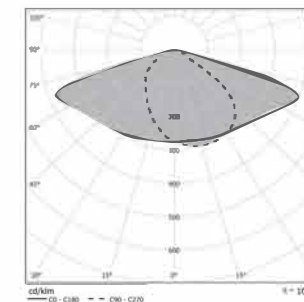
Rated Input Voltage: 100~277V  
 Frequency: 50 / 60Hz  
 Power Factor: 0.95  
 Surge Protection: 10KV / 20KV  
 Control system: Photocontrol (NEMA)  
 Timing Control / 0~10V Dimming  
 / DALI Control / Solar Compatible (optional)

### Structure

Max Projected Area: 0.20m<sup>2</sup>  
 Housing Material: Die Casting Aluminum  
 Luminaire Dimension: 740×285×132 mm  
 Packing Dimension: 675×360×205 mm  
 Net Weight: 6.0±0.2 Kg / 6.5±0.2 Kg  
 Gross Weight: 7.2±0.2 Kg / 7.7±0.2 Kg



VML-540



VML-618

### Model Options

### 3030 Light source

Power (W)	LED QTY (pcs)	Light Distribution	4000K Ra70@Tq=25°C		3000K Ra70@Tq=25°C	
			Luminaire Efficiency	Luminous Flux	Luminaire Efficiency	Luminous Flux
90	96	VML540	125 lm/w	11250	117 lm/w	10500
120	120	VML-540	125 lm/w	15000	117 lm/w	14000

### 5050 Light source

Power (W)	LED QTY (pcs)	Light Distribution	4000K Ra70@Tq=25°C		3000K Ra70@Tq=25°C	
			Luminaire Efficiency	Luminous Flux	Luminaire Efficiency	Luminous Flux
90	30	VML-618	140 lm/w	12600	130 lm/w	11700
120	36	VML-618	140 lm/w	16800	130 lm/w	15600

Power (W)	LED QTY (pcs)	Light Distribution	4000K Ra70@Tq=25°C		3000K Ra70@Tq=25°C	
			Luminaire Efficiency	Luminous Flux	Luminaire Efficiency	Luminous Flux
90	42	VML-618	150 lm/w	13500	140 lm/w	12600
120	54	VM-618	150 lm/w	18000	140 lm/w	16800

The luminaire efficacies are the typical values, ±7% tolerance is reserved.

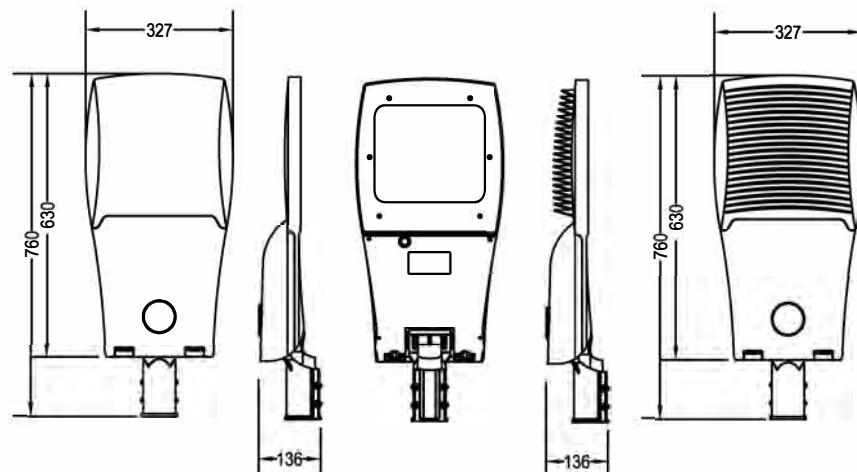
## MAXI



**VML-STB1-6-150**



**VML-STB1-7-180 / 200**



### Basic

Light source brand: Osram / Lumileds  
 Power brand: Inventronics / MOSO / Osram  
 Insulation Class: Class I / Class II (optional)  
 Protection Grade: IP66 / UP TO IK09  
 Color Temperature: 3000 / 4000 / 5000±300K  
 5700 / 6500±500K  
 Pole Diameter: Ø60mm / Ø42mm / Ø76mm (optional)

### Environment

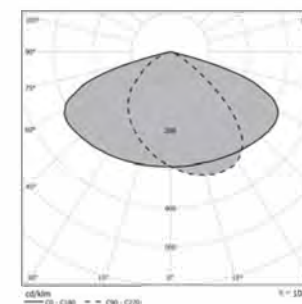
Operating Temperature: -40°C~ 45°C  
 Operating Humidity: 10% ~ 90% RH  
 Storage Temperature: -40°C~ 55°C

### Electronics

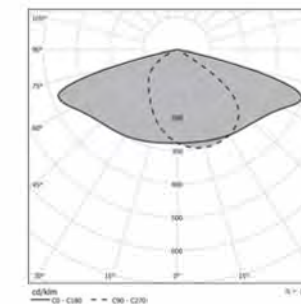
Rated Input Voltage: 100~277V  
 Frequency: 50 / 60Hz  
 Power Factor: 0.95  
 Surge Protection: 10KV / 20KV  
 Control system: Photocontrol (NEMA)  
 Timing Control / 0~10V Dimming  
 / DALI Control / Solar Compatible (optional)

### Structure

Max Projected Area: 0.21m<sup>2</sup>  
 Housing Material: Die Casting Aluminum  
 Luminaire Dimension: 760×327×136 mm  
 Packing Dimension: 715×415×225 mm  
 Net Weight: 8.0±0.2 Kg / 8.5±0.2 Kg  
 Gross Weight: 9.5±0.2 Kg / 10.0±0.2 Kg



VML-540



VML-618

### Model Options

### 3030 Light source

Power (W)	LED QTY (pcs)	Light Distribution	4000K Ra70@Tq=25°C		3000K Ra70@Tq=25°C	
			Luminaire Efficiency	Luminous Flux	Luminaire Efficiency	Luminous Flux
150	150	VML-540	125 lm/w	18750	117 lm/w	17550
180	180	VML-540	125 lm/w	22500	117 lm/w	21060
200	216	VML-540	125 lm/w	25000	117 lm/w	23400

### 5050 Light source

Power (W)	LED QTY (pcs)	Light Distribution	4000K Ra70@Tq=25°C		3000K Ra70@Tq=25°C	
			Luminaire Efficiency	Luminous Flux	Luminaire Efficiency	Luminous Flux
150	48	VML618	140 lm/w	21000	130 lm/w	19500
180	56	VML-618	140 lm/w	25200	130 lm/w	23400
200	56	VML-618	140 lm/w	28000	130 lm/w	26000

Power (W)	LED QTY (pcs)	Light Distribution	4000K Ra70@Tq=25°C		3000K Ra70@Tq=25°C	
			Luminaire Efficiency	Luminous Flux	Luminaire Efficiency	Luminous Flux
150	64	VML-618	150 lm/w	22500	140 lm/w	21000
180	90	VML-618	150 lm/w	27000	140 lm/w	25200
200	90	VML-618	150 lm/w	30000	140 lm/w	28000

The luminaire efficacies are the typical values, ±7% tolerance is reserved.

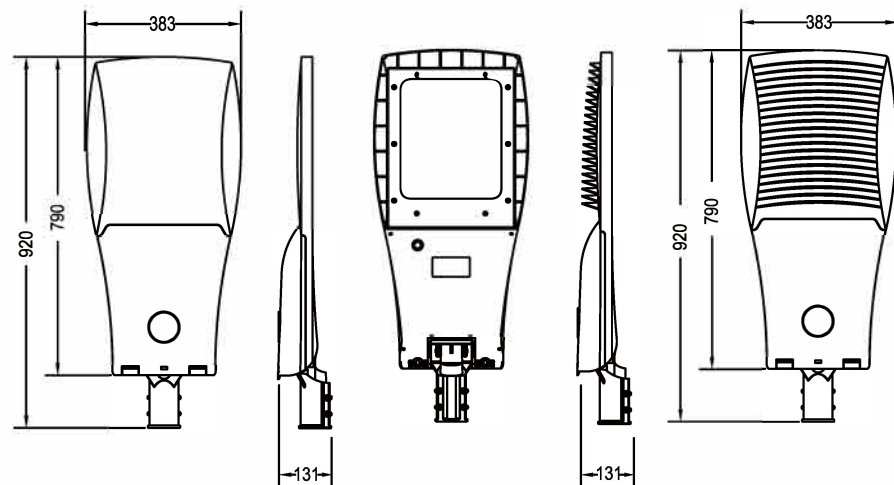
## MAXI PLUS



VML-STB1-8-180 / 200



VML-STB1-9-240



### Basic

Light source brand: Osram / Lumileds  
 Power brand: Inventronics / MOSO / Osram  
 Insulation Class: Class I / Class II (optional)  
 Protection Grade: IP66 / UP TO IK09  
 Color Temperature: 3000 / 4000 / 5000±300K  
 5700 / 6500±500K  
 Pole Diameter: Ø60mm / Ø42mm / Ø76mm (optional)

### Environment

Operating Temperature: -40°C~ 45°C  
 Operating Humidity: 10% ~ 90% RH  
 Storage Temperature: -40°C~ 55°C

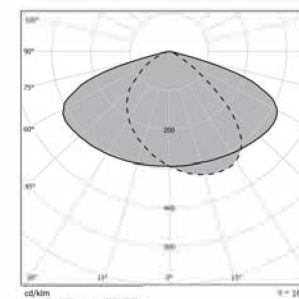
### Electronics

Rated Input Voltage: 100~277V  
 Frequency: 50 / 60Hz  
 Power Factor: 0.95  
 Surge Protection: 10KV / 20KV  
 Control system: Photocontrol (NEMA)  
 Timing Control / 0~10V Dimming  
 / DALI Control / Solar Compatible (optional)

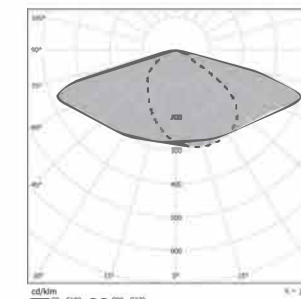
### Structure

Max Projected Area: 0.27m<sup>2</sup>  
 Housing Material: Die Casting Aluminum  
 Luminaire Dimension: 920×383×131 mm  
 Packing Dimension: 890×470×220 mm  
 Net Weight: 11.0±0.2 Kg / 12.5±0.2 Kg  
 Gross Weight: 12.5±0.2 Kg / 14.0±0.2 Kg

### Model Options



VML-540



VML-618

### 3030 Light source

Power (W)	LED QTY (pcs)	Light Distribution	4000K Ra70@Tq=25°C		3000K Ra70@Tq=25°C	
			Luminaire Efficiency	Luminous Flux	Luminaire Efficiency	Luminous Flux
180	180	VML-540	125 lm/w	22500	117 lm/w	21060
200	216	VML-540	125 lm/w	25000	117 lm/w	23400
240	240	VML-540	125 lm/w	30000	117 lm/w	28080

### 5050 Light source

Power (W)	LED QTY (pcs)	Light Distribution	4000K Ra70@Tq=25°C		3000K Ra70@Tq=25°C	
			Luminaire Efficiency	Luminous Flux	Luminaire Efficiency	Luminous Flux
180	56	VML-618	140 lm/w	25200	130 lm/w	23400
200	56	VML-618	140 lm/w	28000	130 lm/w	26000
240	72	VML-618	140 lm/w	21000	130 lm/w	19500

Power (W)	LED QTY (pcs)	Light Distribution	4000K Ra70@Tq=25°C		3000K Ra70@Tq=25°C	
			Luminaire Efficiency	Luminous Flux	Luminaire Efficiency	Luminous Flux
180	84	VML-618	150 lm/w	27000	140 lm/w	25200
200	84	VML-618	150 lm/w	30000	140 lm/w	28000
240	108	VML-618	150 lm/w	36000	140 lm/w	33600

The luminaire efficacies are the typical values, ±7% tolerance is reserved.



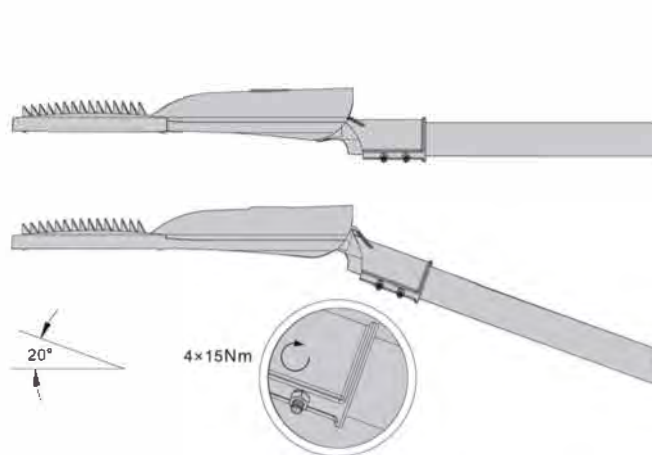
## Adapter



Apply to Beluga micro



Apply to other models



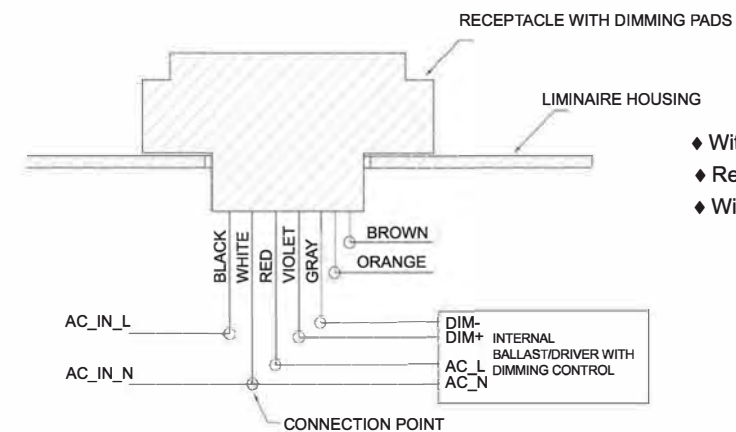
### Angle adjustment:

Loosen the two screws. Then, align the angler triangle pointer with the required angle scale. Finally, tighten the screws. It can be installed horizontally and vertically as shown in the figure. Wide adjustment of the inclination: from  $-20^\circ$  to  $+15^\circ$  in the step of  $2.5^\circ$



### NEMA Socket 5PIN 7PIN

Optical control can be connected to 3/5/7PIN interface.



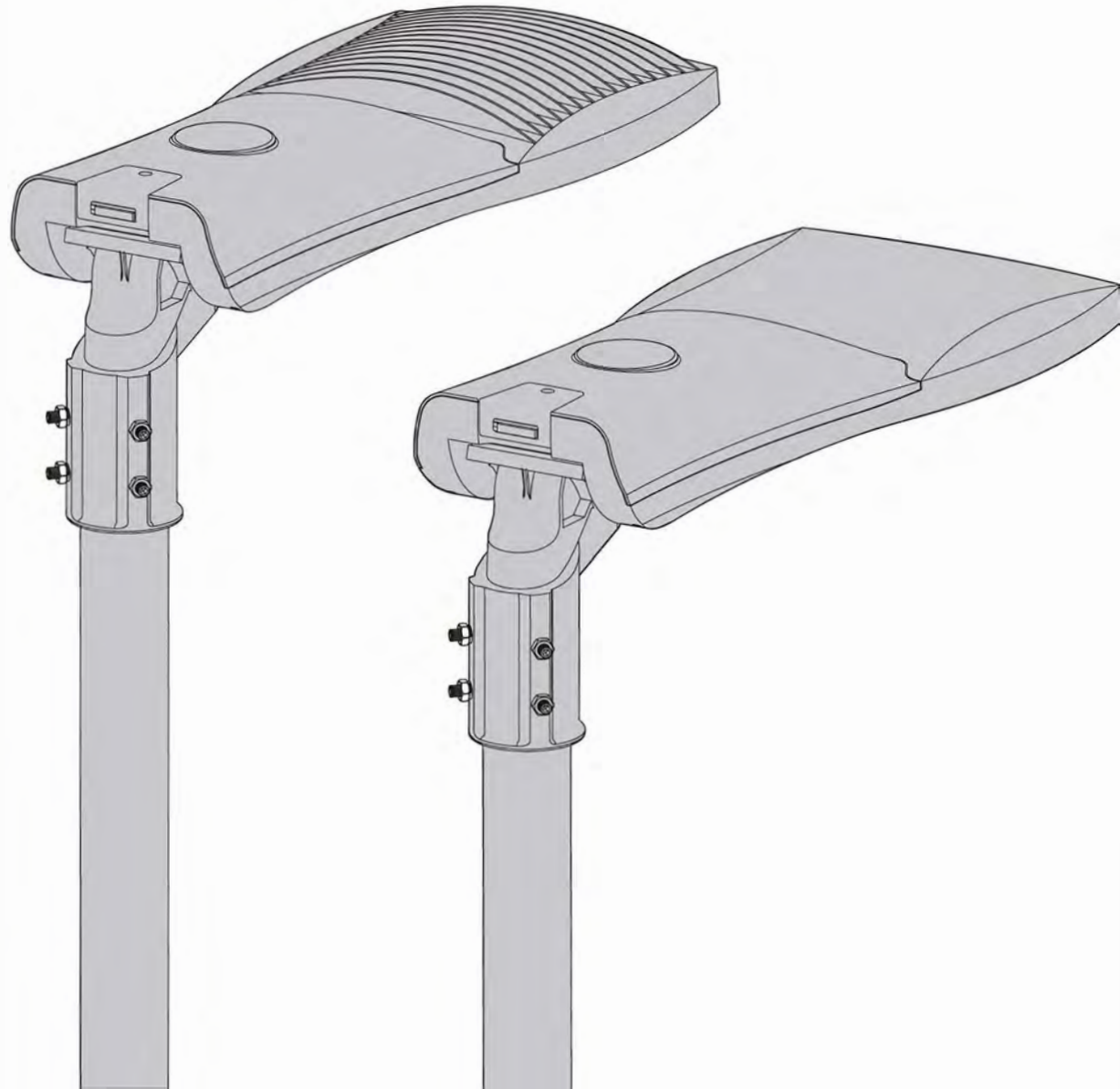
## Controller



### Features

- ◆ Zigbee communication, auto-Mesh
- ◆ With standard NEMA 5 lines interface for easy installation
- ◆ Remote switch on/off, maximum internal 16A relay outputs
- ◆ With dimming interface: 0-10V (PWM could be customized)
  - ◆ With current, voltage, power, power factor, electric energy remote reading functions
  - ◆ With LED lamp failure detection function
- ◆ With initiative fault information reporting functions
  - ◆ Lightning protection function
- ◆ IP65

Dimming mode	Output parameters	Explanation	Communication mode	Route pattern	Communication distance	Frequency	Frequency range	Communication rate
Analog voltage	0-10V/10mA	Preset 100% dimming for 10V, or 0V output	Zigbee	MESH	200M (visual range)	2.4GHz	2.4GHz~2.485GHz	250Kbps



**VIMALUX**

A brighter vision